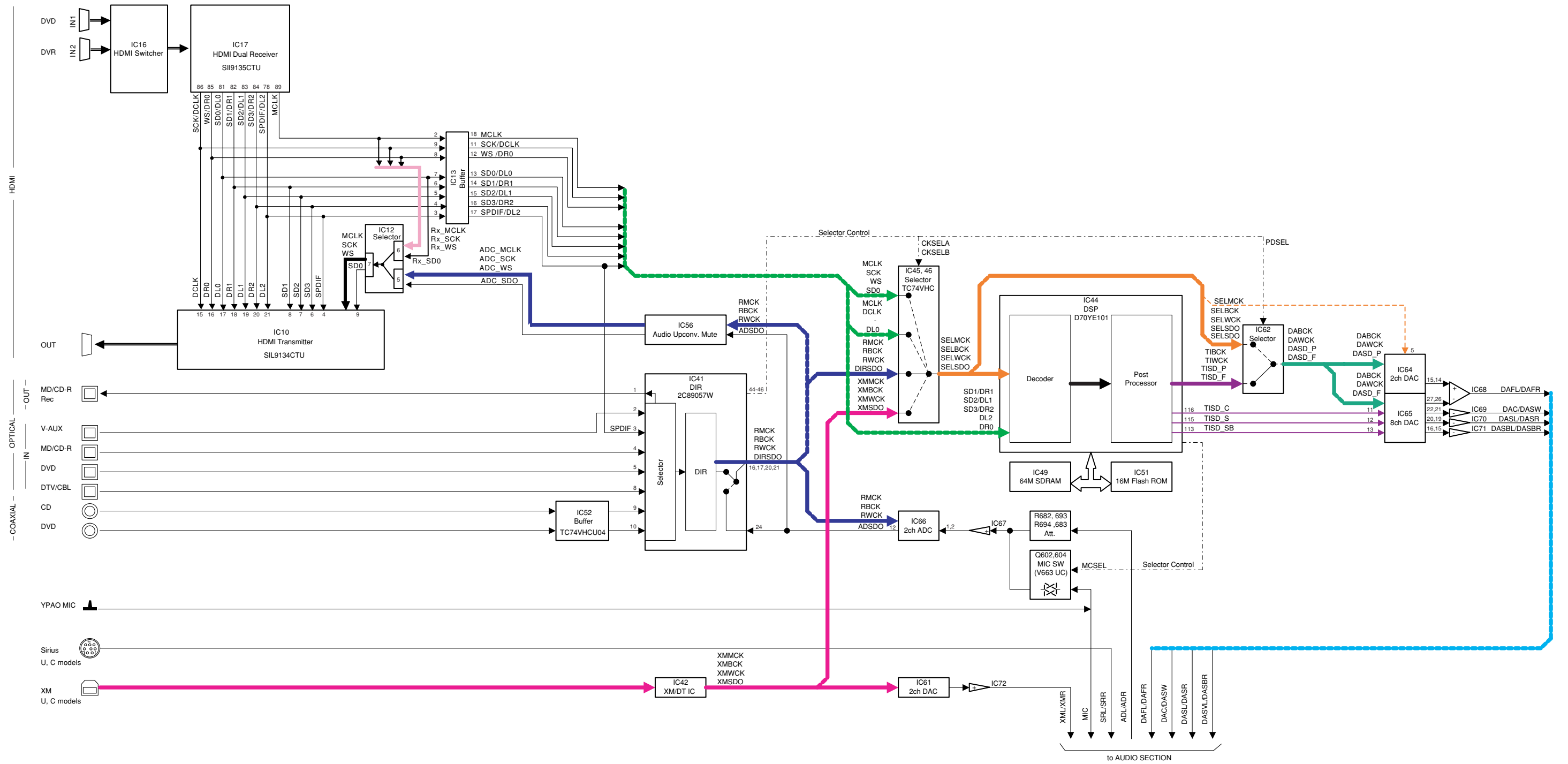


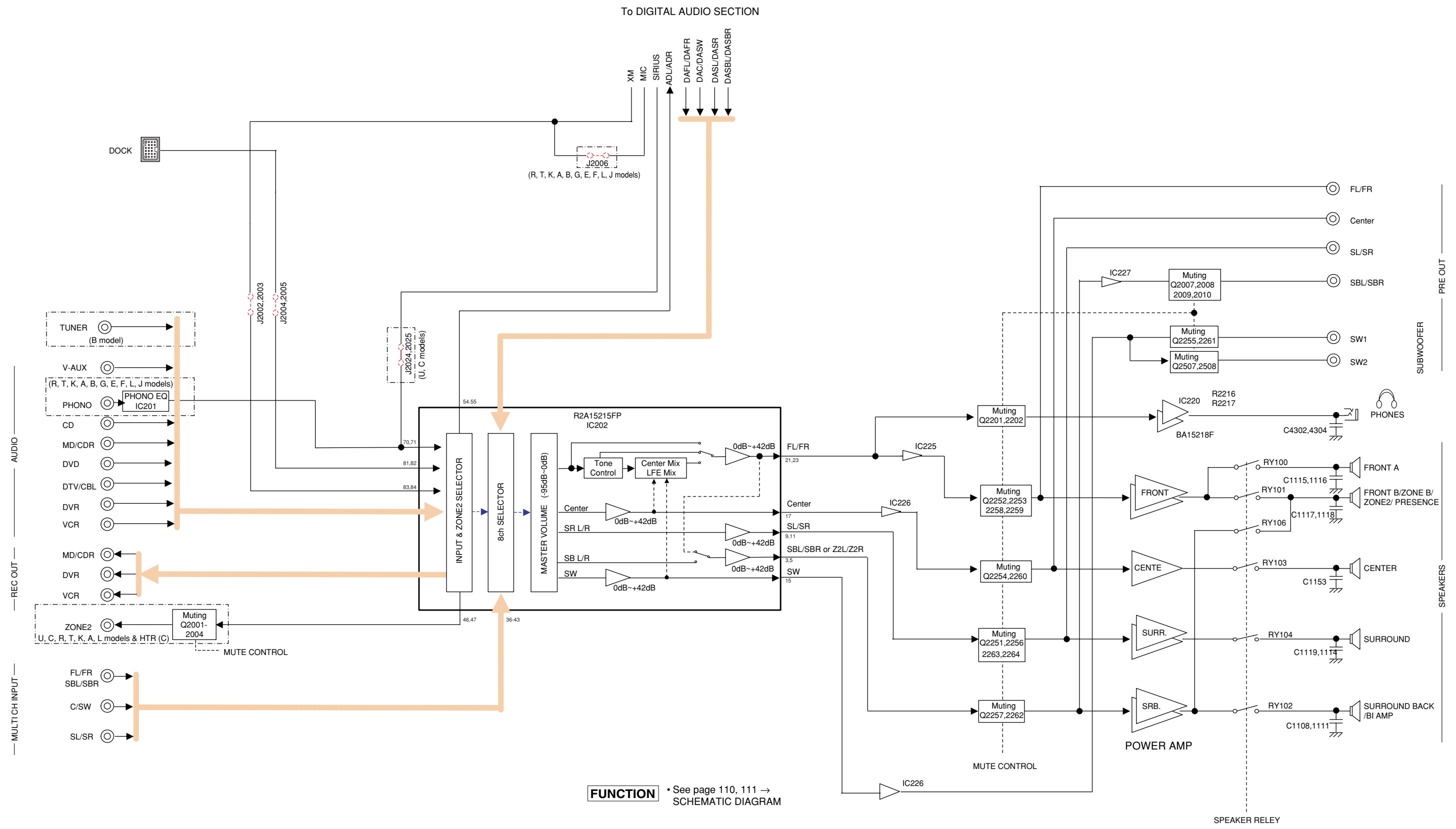
**BLOCK DIAGRAMS**

**AUDIO (DIGITAL) SECTION BLOCK DIAGRAM**

**DIGITAL** • See page 105-109 → SCHEMATIC DIAGRAM

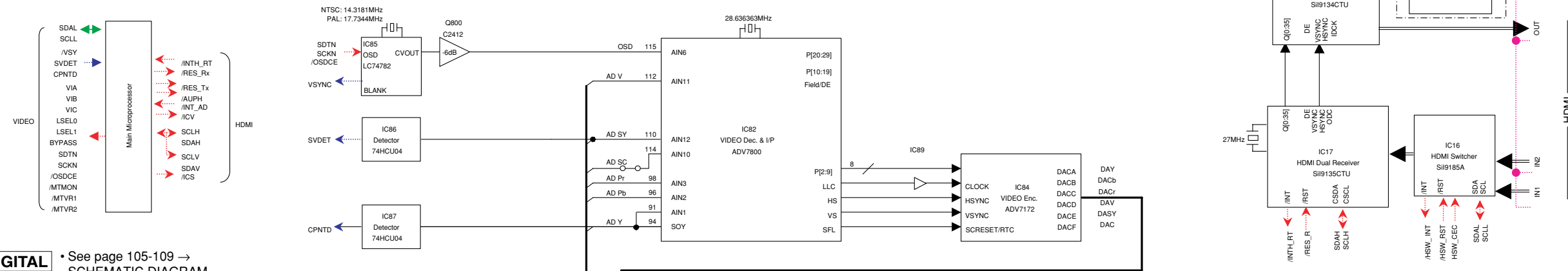


### AUDIO (ANALOG) SECTION BLOCK DIAGRAM

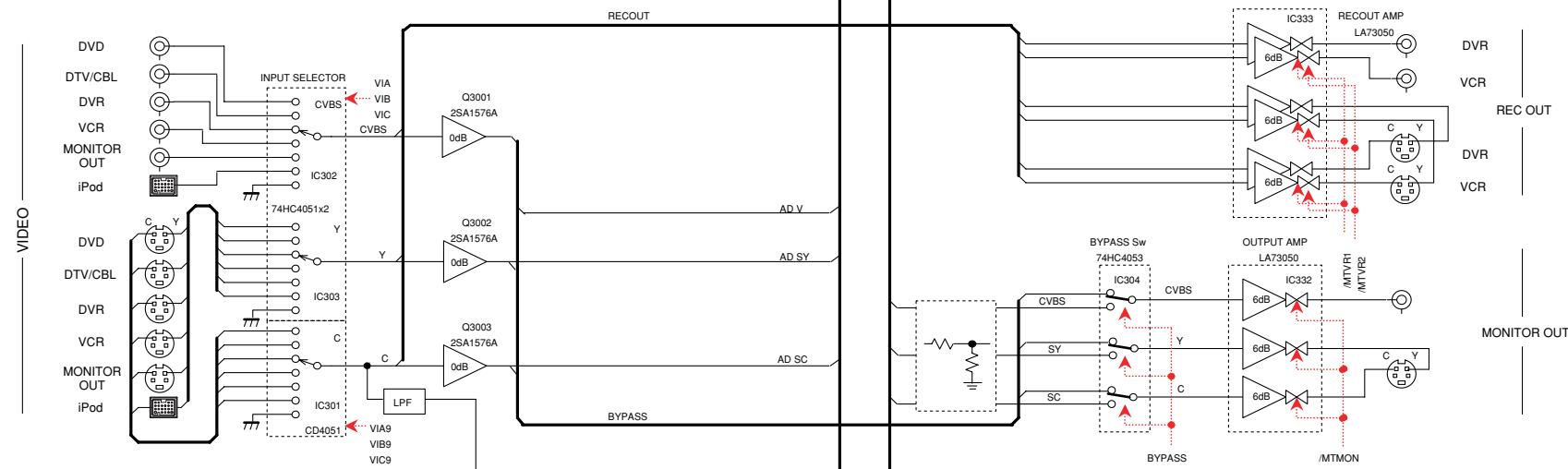


**FUNCTION** • See page 110, 111 → SCHEMATIC DIAGRAM

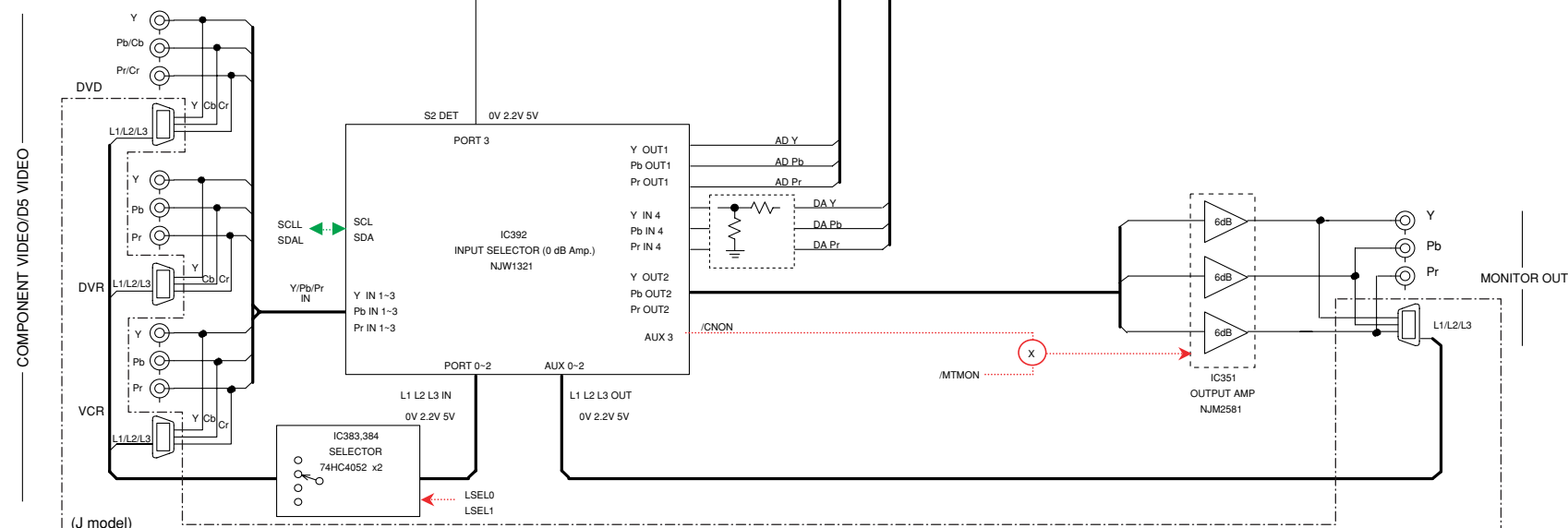
VIDEO SECTION BLOCK DIAGRAM



**DIGITAL** • See page 105-109 → SCHEMATIC DIAGRAM

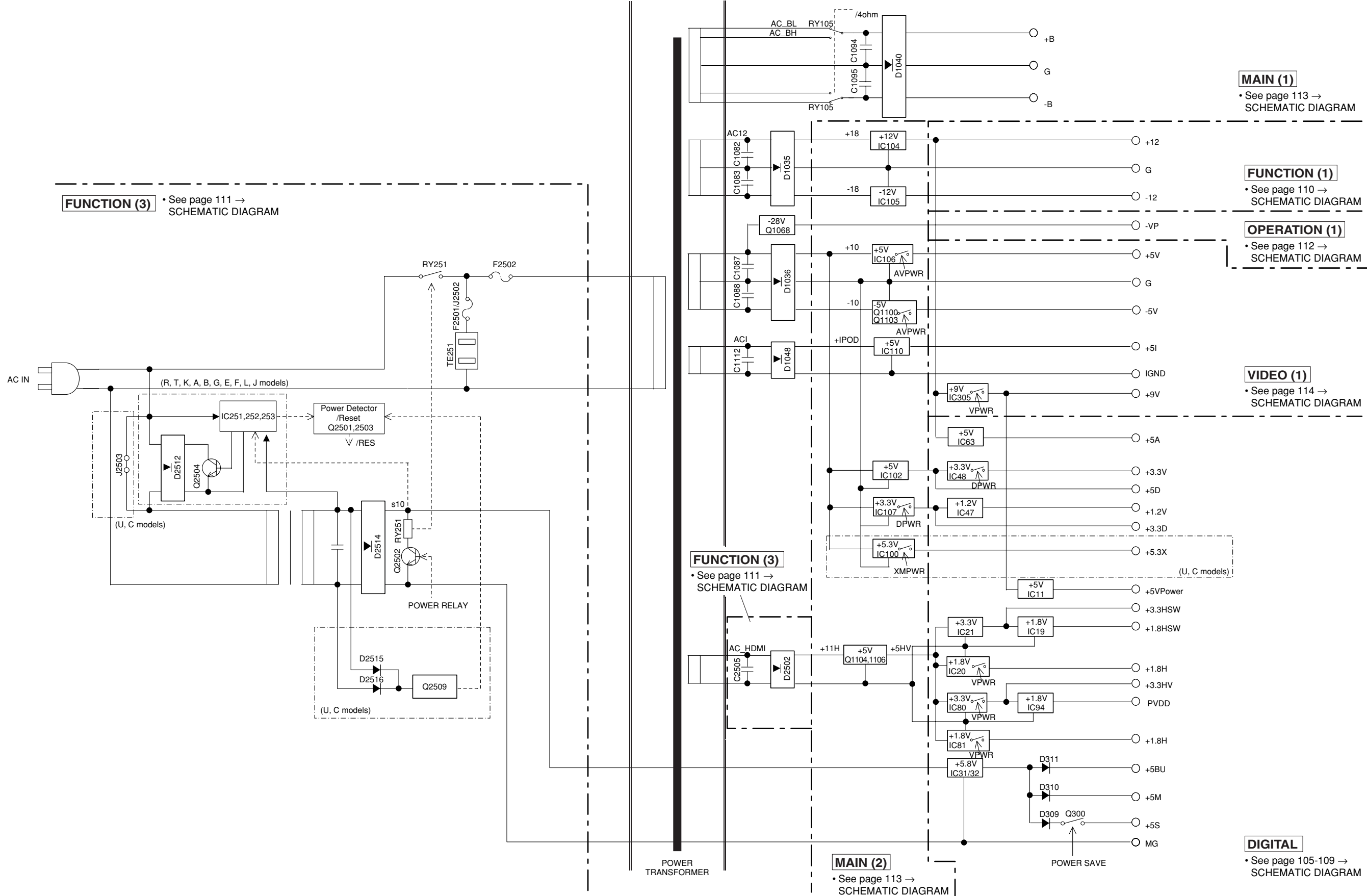


**VIDEO (1)** • See page 114 → SCHEMATIC DIAGRAM

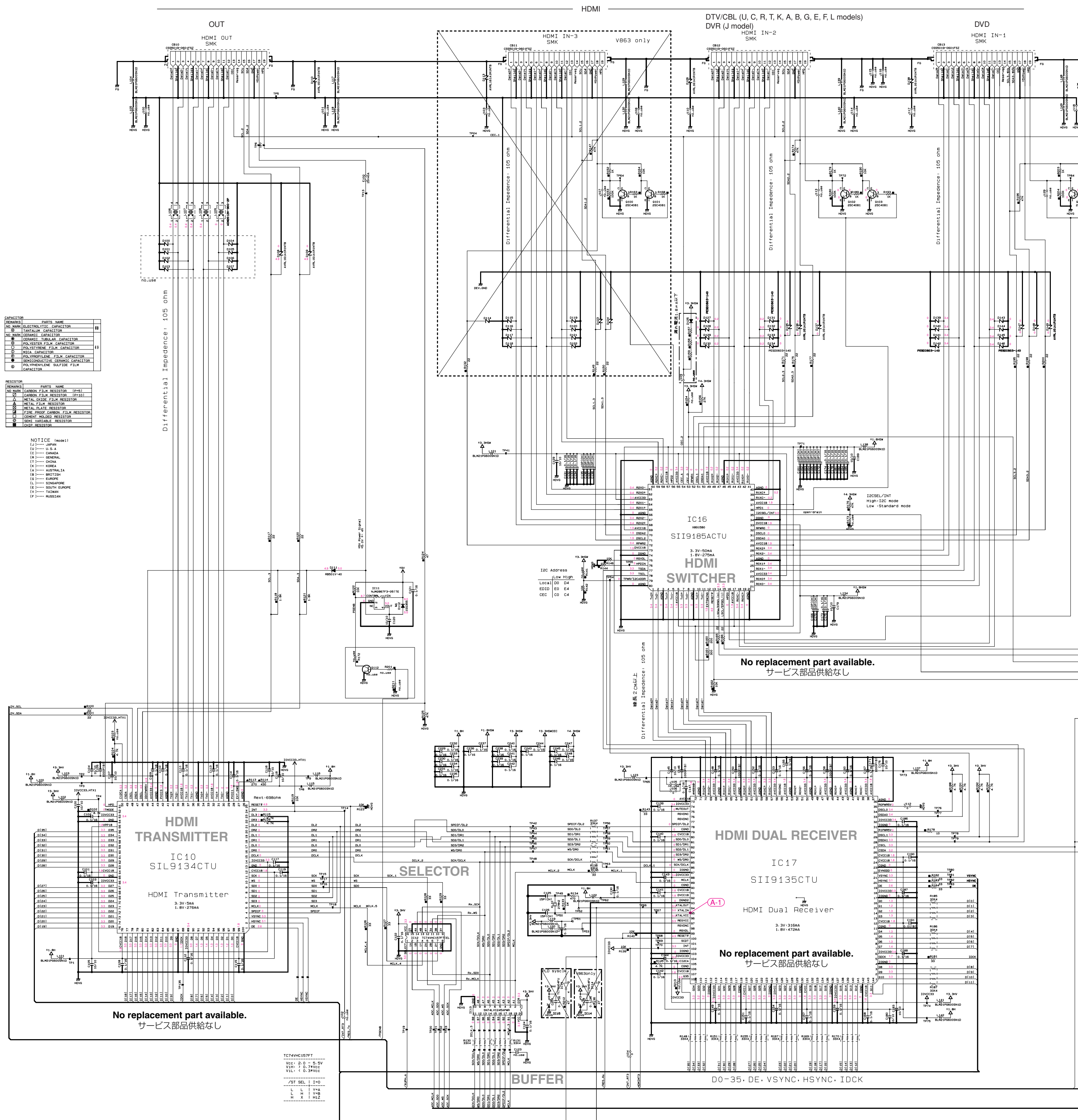


**VIDEO (2)** • See page 115 → SCHEMATIC DIAGRAM

POWER SECTION BLOCK DIAGRAM



SCHEMATIC DIAGRAMS  
DIGITAL 1/5

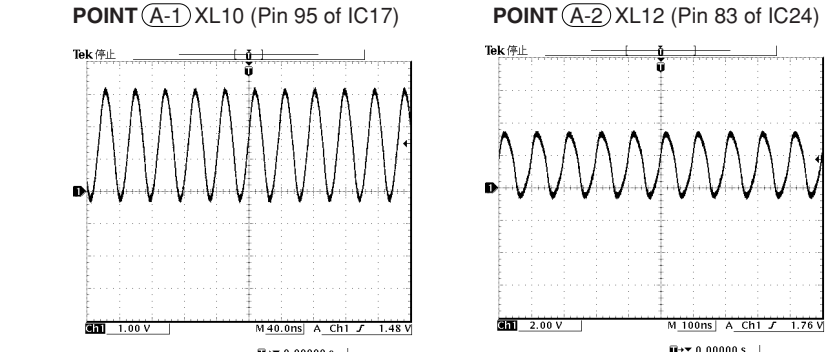


RESISTOR PARTS NAME

R1	10K	RESISTOR
R2	100K	RESISTOR
R3	1K	RESISTOR
R4	100Ω	RESISTOR
R5	10K	RESISTOR
R6	100K	RESISTOR
R7	1K	RESISTOR
R8	100Ω	RESISTOR
R9	10K	RESISTOR
R10	100K	RESISTOR
R11	1K	RESISTOR
R12	100Ω	RESISTOR
R13	10K	RESISTOR
R14	100K	RESISTOR
R15	1K	RESISTOR
R16	100Ω	RESISTOR
R17	10K	RESISTOR
R18	100K	RESISTOR
R19	1K	RESISTOR
R20	100Ω	RESISTOR
R21	10K	RESISTOR
R22	100K	RESISTOR
R23	1K	RESISTOR
R24	100Ω	RESISTOR
R25	10K	RESISTOR
R26	100K	RESISTOR
R27	1K	RESISTOR
R28	100Ω	RESISTOR
R29	10K	RESISTOR
R30	100K	RESISTOR
R31	1K	RESISTOR
R32	100Ω	RESISTOR
R33	10K	RESISTOR
R34	100K	RESISTOR
R35	1K	RESISTOR
R36	100Ω	RESISTOR
R37	10K	RESISTOR
R38	100K	RESISTOR
R39	1K	RESISTOR
R40	100Ω	RESISTOR
R41	10K	RESISTOR
R42	100K	RESISTOR
R43	1K	RESISTOR
R44	100Ω	RESISTOR
R45	10K	RESISTOR
R46	100K	RESISTOR
R47	1K	RESISTOR
R48	100Ω	RESISTOR
R49	10K	RESISTOR
R50	100K	RESISTOR
R51	1K	RESISTOR
R52	100Ω	RESISTOR
R53	10K	RESISTOR
R54	100K	RESISTOR
R55	1K	RESISTOR
R56	100Ω	RESISTOR
R57	10K	RESISTOR
R58	100K	RESISTOR
R59	1K	RESISTOR
R60	100Ω	RESISTOR
R61	10K	RESISTOR
R62	100K	RESISTOR
R63	1K	RESISTOR
R64	100Ω	RESISTOR
R65	10K	RESISTOR
R66	100K	RESISTOR
R67	1K	RESISTOR
R68	100Ω	RESISTOR
R69	10K	RESISTOR
R70	100K	RESISTOR
R71	1K	RESISTOR
R72	100Ω	RESISTOR
R73	10K	RESISTOR
R74	100K	RESISTOR
R75	1K	RESISTOR
R76	100Ω	RESISTOR
R77	10K	RESISTOR
R78	100K	RESISTOR
R79	1K	RESISTOR
R80	100Ω	RESISTOR
R81	10K	RESISTOR
R82	100K	RESISTOR
R83	1K	RESISTOR
R84	100Ω	RESISTOR
R85	10K	RESISTOR
R86	100K	RESISTOR
R87	1K	RESISTOR
R88	100Ω	RESISTOR
R89	10K	RESISTOR
R90	100K	RESISTOR
R91	1K	RESISTOR
R92	100Ω	RESISTOR
R93	10K	RESISTOR
R94	100K	RESISTOR
R95	1K	RESISTOR
R96	100Ω	RESISTOR
R97	10K	RESISTOR
R98	100K	RESISTOR
R99	1K	RESISTOR
R100	100Ω	RESISTOR

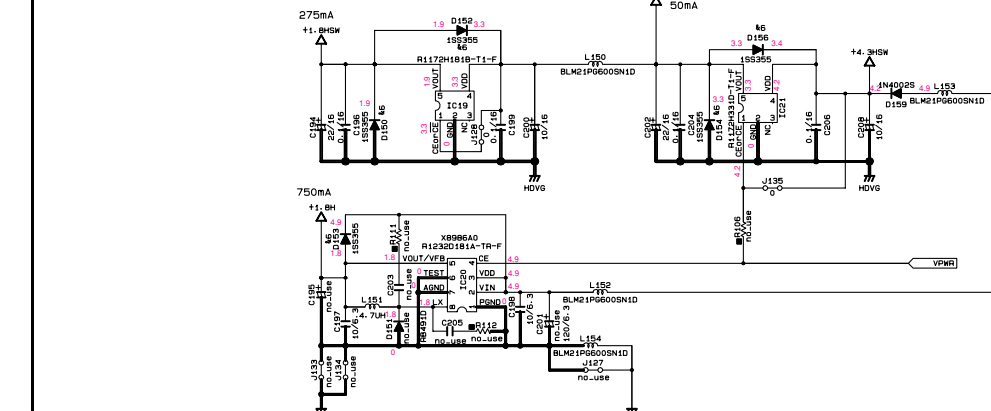
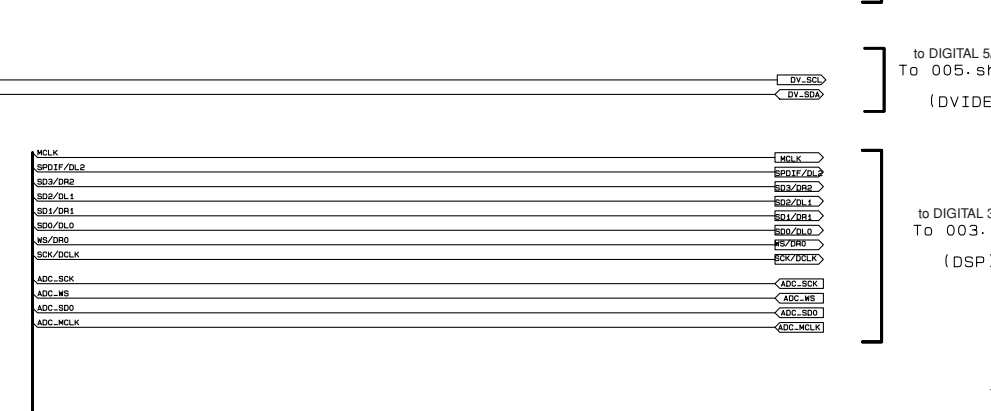
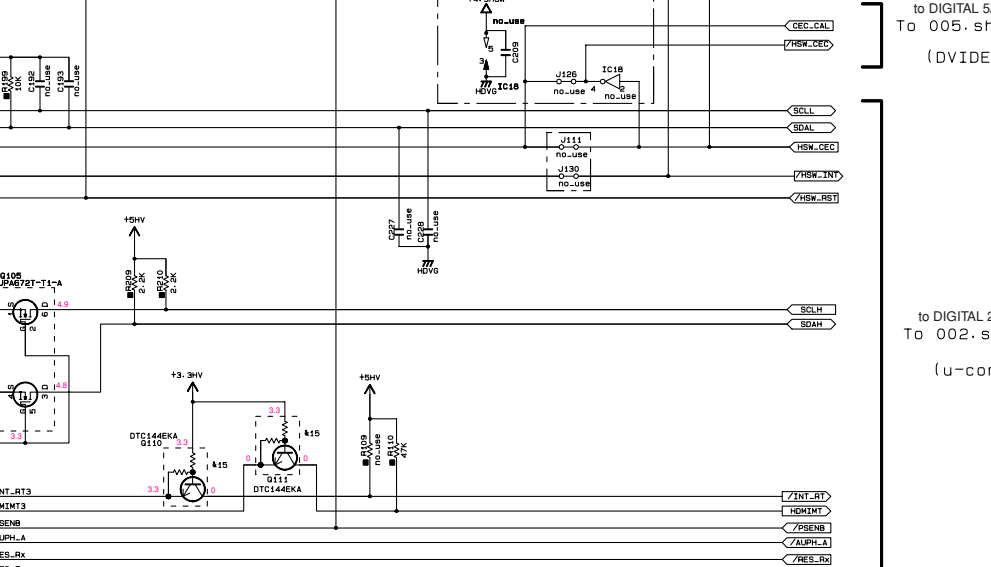
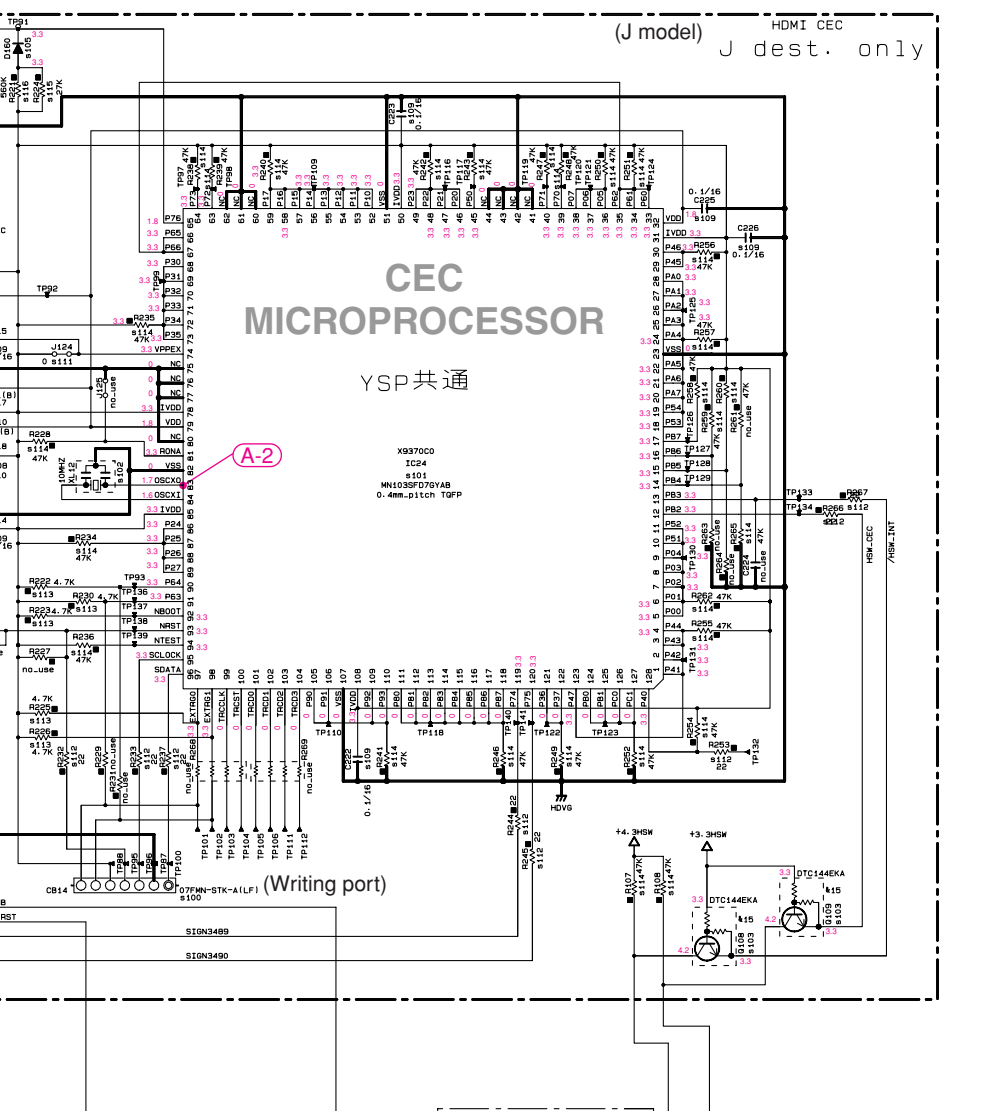
NOTICE (REV.1)

- ①: JAPAN
- ②: U.S.A.
- ③: CANADA
- ④: MEXICO
- ⑤: EUROPE
- ⑥: AUSTRALIA
- ⑦: SOUTH AFRICA
- ⑧: BRITAIN
- ⑨: INDIA
- ⑩: SINGAPORE
- ⑪: MALAYSIA
- ⑫: HONG KONG
- ⑬: TAIWAN
- ⑭: RUSSIA

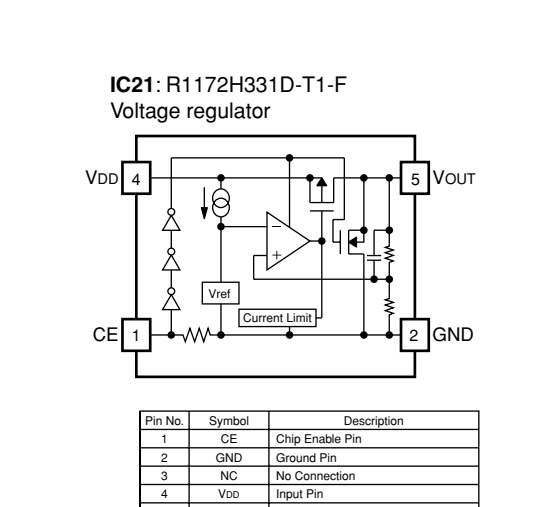
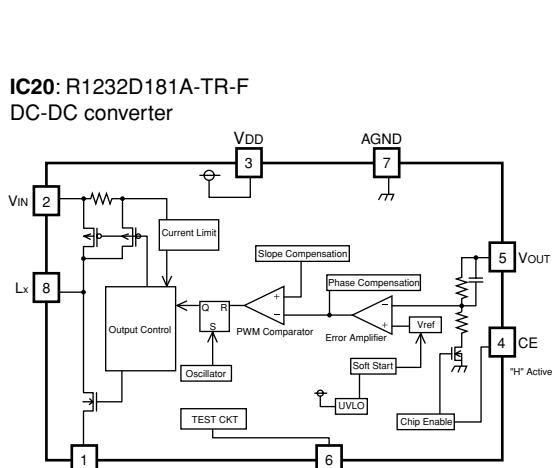
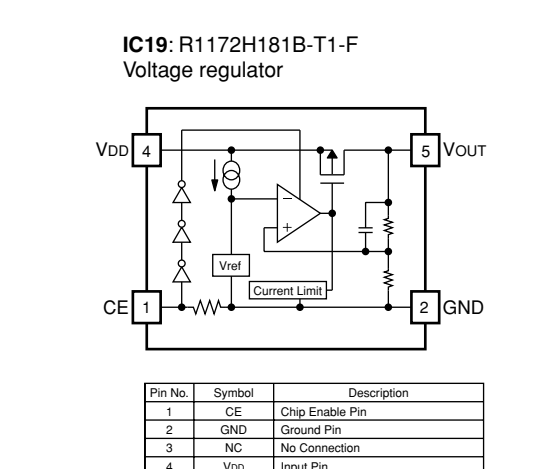
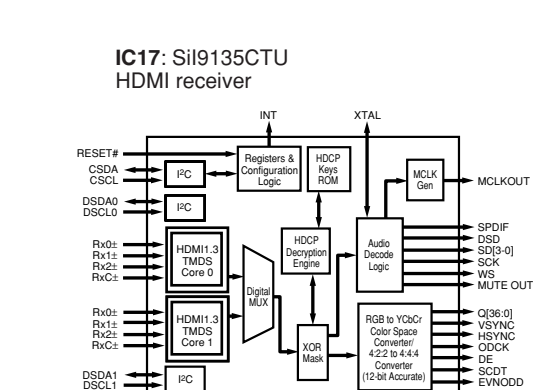
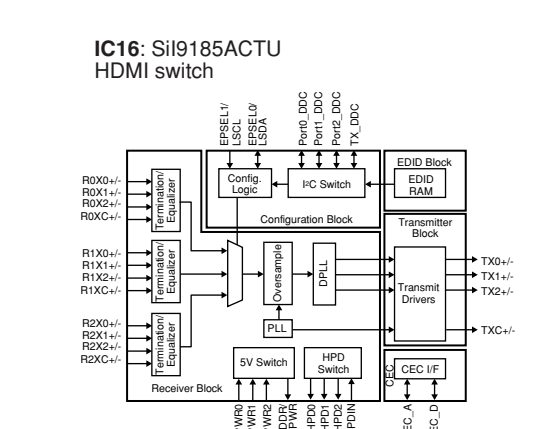
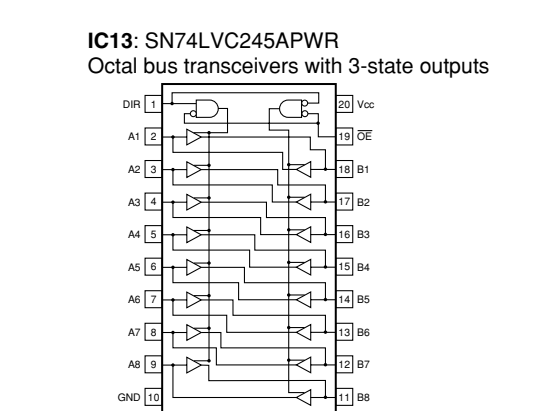
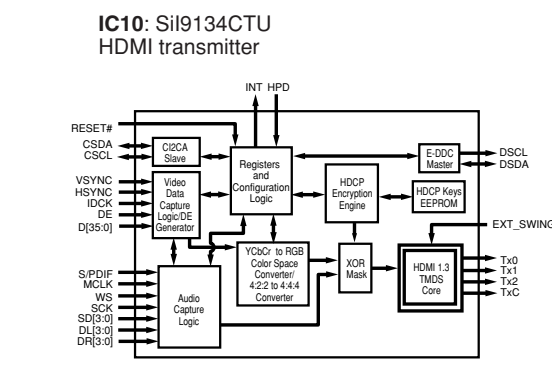


Discontinued Part List

Part No.	Part Name	DSP-AX763	RX-V663/HTR-6160	RX-V663	DSP-AX763	RX-V663/HTR-6160	RX-V663
4001	4001	X	X	X	X	X	X
4002	4002	X	X	X	X	X	X
4003	4003	X	X	X	X	X	X
4004	4004	X	X	X	X	X	X
4005	4005	X	X	X	X	X	X
4006	4006	X	X	X	X	X	X
4007	4007	X	X	X	X	X	X
4008	4008	X	X	X	X	X	X
4009	4009	X	X	X	X	X	X
4010	4010	X	X	X	X	X	X
4011	4011	X	X	X	X	X	X
4012	4012	X	X	X	X	X	X
4013	4013	X	X	X	X	X	X
4014	4014	X	X	X	X	X	X
4015	4015	X	X	X	X	X	X
4016	4016	X	X	X	X	X	X
4017	4017	X	X	X	X	X	X
4018	4018	X	X	X	X	X	X
4019	4019	X	X	X	X	X	X
4020	4020	X	X	X	X	X	X
4021	4021	X	X	X	X	X	X
4022	4022	X	X	X	X	X	X
4023	4023	X	X	X	X	X	X
4024	4024	X	X	X	X	X	X
4025	4025	X	X	X	X	X	X
4026	4026	X	X	X	X	X	X
4027	4027	X	X	X	X	X	X
4028	4028	X	X	X	X	X	X
4029	4029	X	X	X	X	X	X
4030	4030	X	X	X	X	X	X
4031	4031	X	X	X	X	X	X
4032	4032	X	X	X	X	X	X
4033	4033	X	X	X	X	X	X
4034	4034	X	X	X	X	X	X
4035	4035	X	X	X	X	X	X
4036	4036	X	X	X	X	X	X
4037	4037	X	X	X	X	X	X
4038	4038	X	X	X	X	X	X
4039	4039	X	X	X	X	X	X
4040	4040	X	X	X	X	X	X
4041	4041	X	X	X	X	X	X
4042	4042	X	X	X	X	X	X
4043	4043	X	X	X	X	X	X
4044	4044	X	X	X	X	X	X
4045	4045	X	X	X	X	X	X
4046	4046	X	X	X	X	X	X
4047	4047	X	X	X	X	X	X
4048	4048	X	X	X	X	X	X
4049	4049	X	X	X	X	X	X
4050	4050	X	X	X	X	X	X



\* All voltages are measured with a 10MΩ/1V DC electronic voltmeter.  
 \* Components having special characteristics are marked with a dot, and must be replaced with parts having specifications equal to those originally installed.  
 \* Schematic diagram is subject to change without notice.



DIGITAL 2/5

Page 112 [G9] to OPERATION (1)\_CB401

Page 113 [H4] to MAIN (1)\_W103

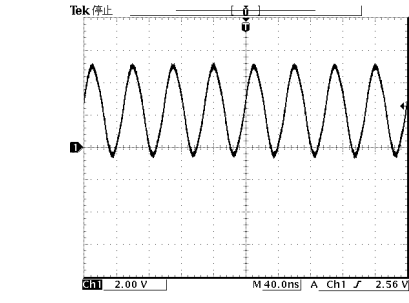
Page 113 [H4] to MAIN (1)\_W104

Page 111 [B7] to FUNCTION (3)\_W2501

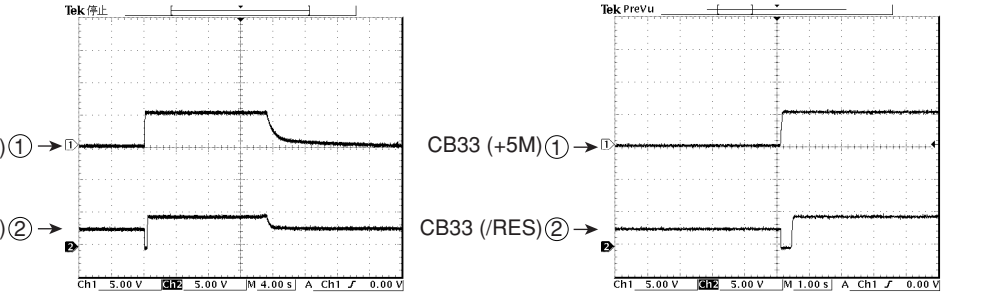
Page 113 [K10] to MAIN (2)\_W113 (J model) to MAIN (2)

Page 110 [B8] to FUNCTION (1)\_CB206 to FUNC(1)

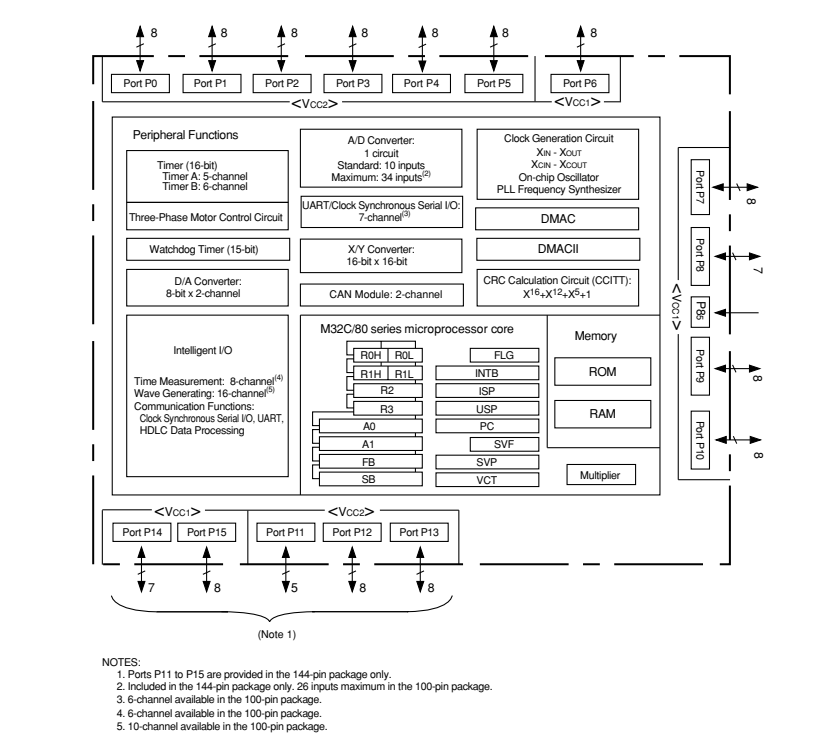
POINT (A-3) XL30 (Pin 20 of IC30)



POINT (C-2) (C-3) ① CB33 (+5M), ② CB33 (/RES)



IC30: M30878FJBGFP Single chip 16/32-bit microprocessor



IC32: R1154H058B-T1-F Voltage regulator

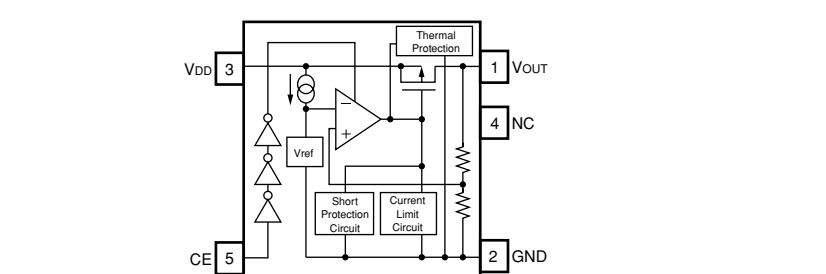
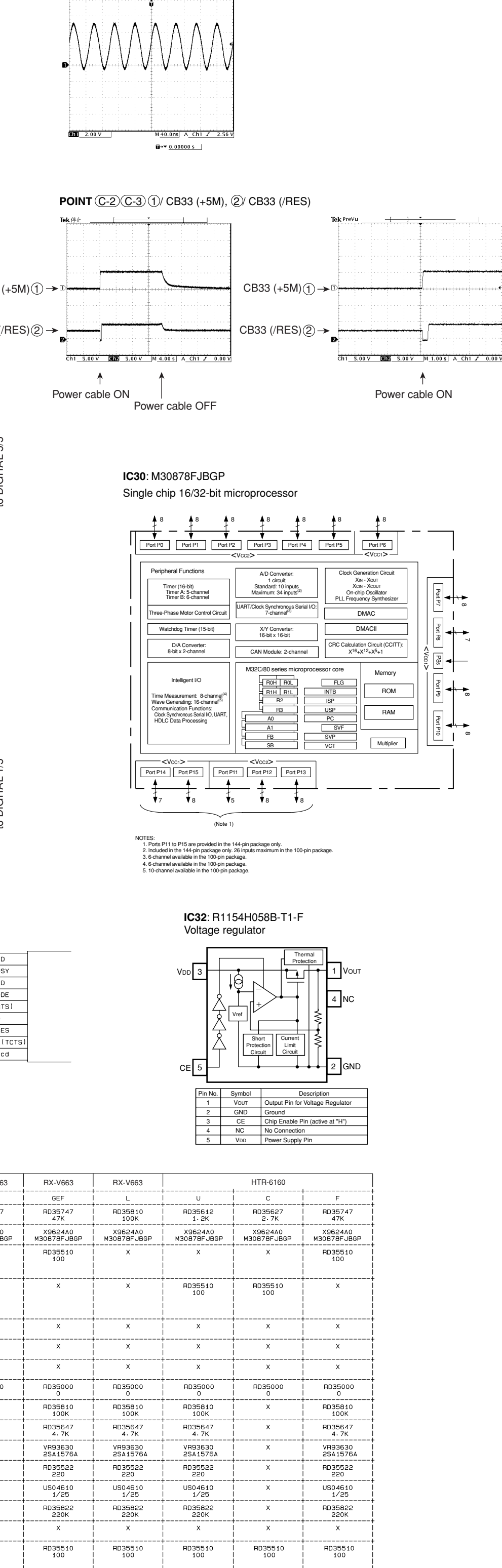
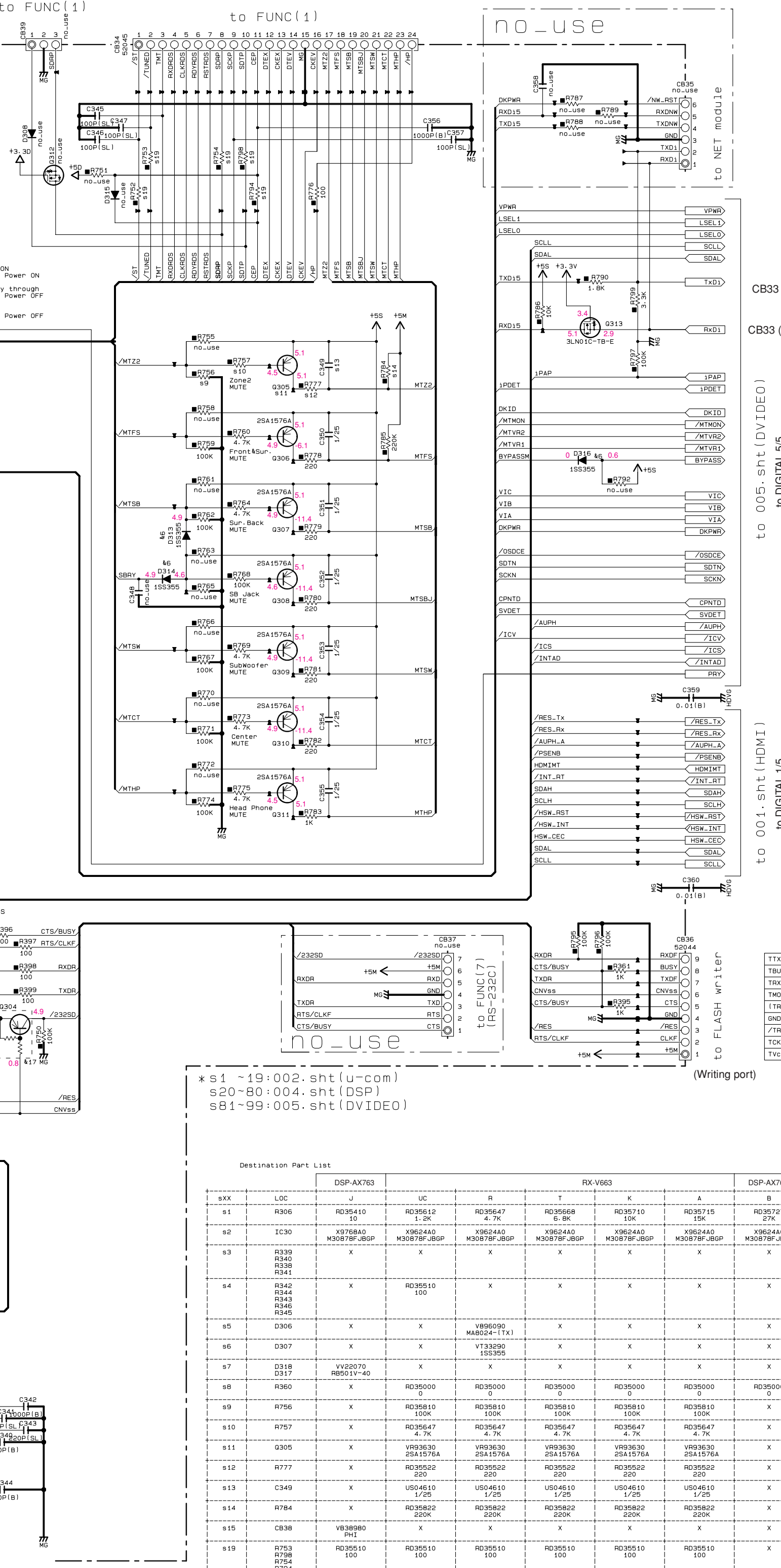
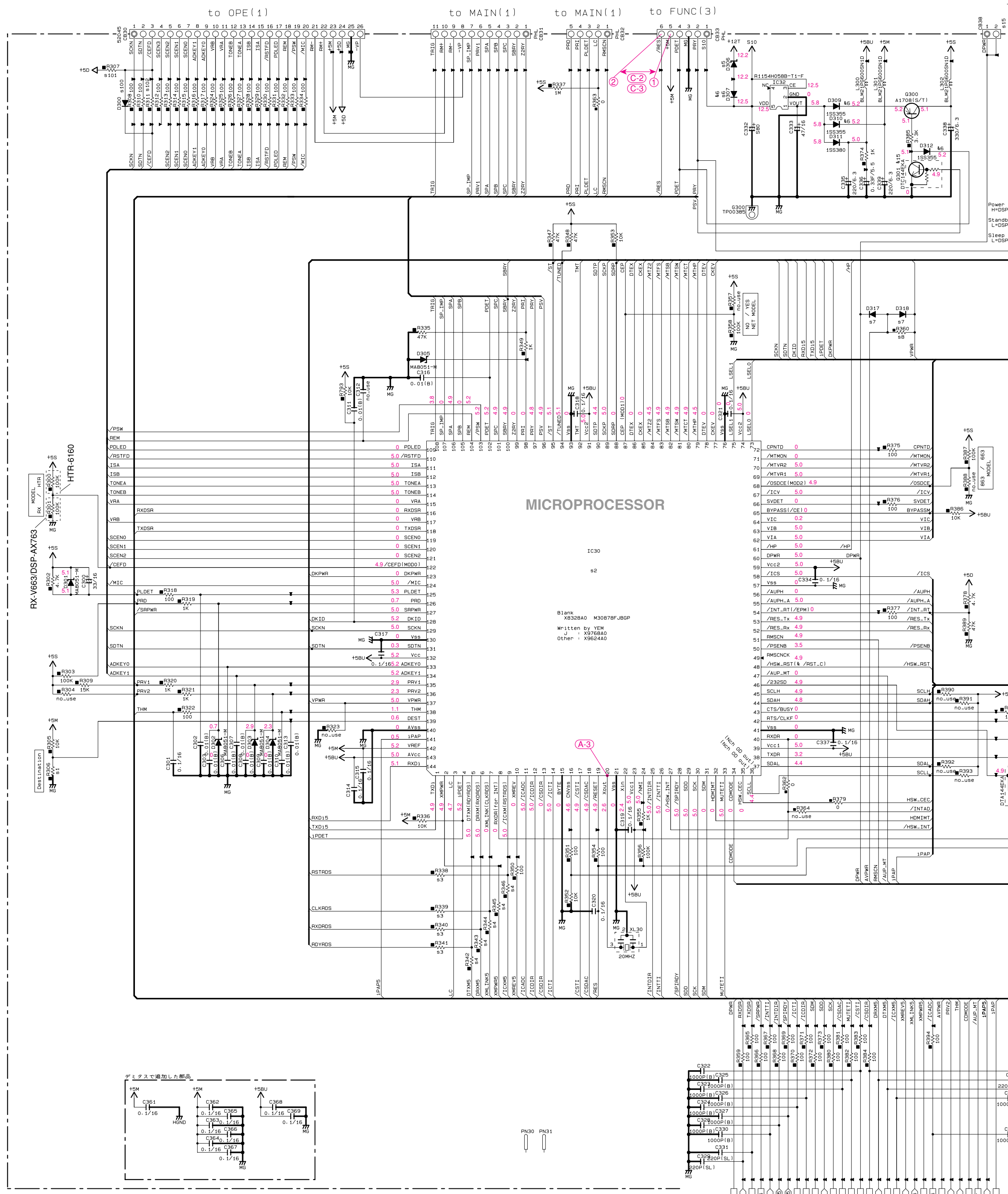


Table with 5 columns: Pin No., Symbol, Output Pin or Voltage Regulator, Description. It lists pins 1 through 5 and their functions.



All voltages are measured with a 10M $\Omega$ /V DC electronic voltmeter. Components having special characteristics are marked with a star. Schematic diagram is subject to change without notice.

電圧は、内部抵抗10M $\Omega$ の電圧計で測定したものです。★印のある部品は、安全性確保部品を示しています。部品の交換が必要な場合、パーツリストに記載されている部品を使用してください。●本回路図は標準回路図です。改良のため予告なく変更することがございます。

Table with 2 columns: CAPACITOR, PARTS NAME. Lists various capacitor types like electrolytic, tantalum, ceramic, etc.

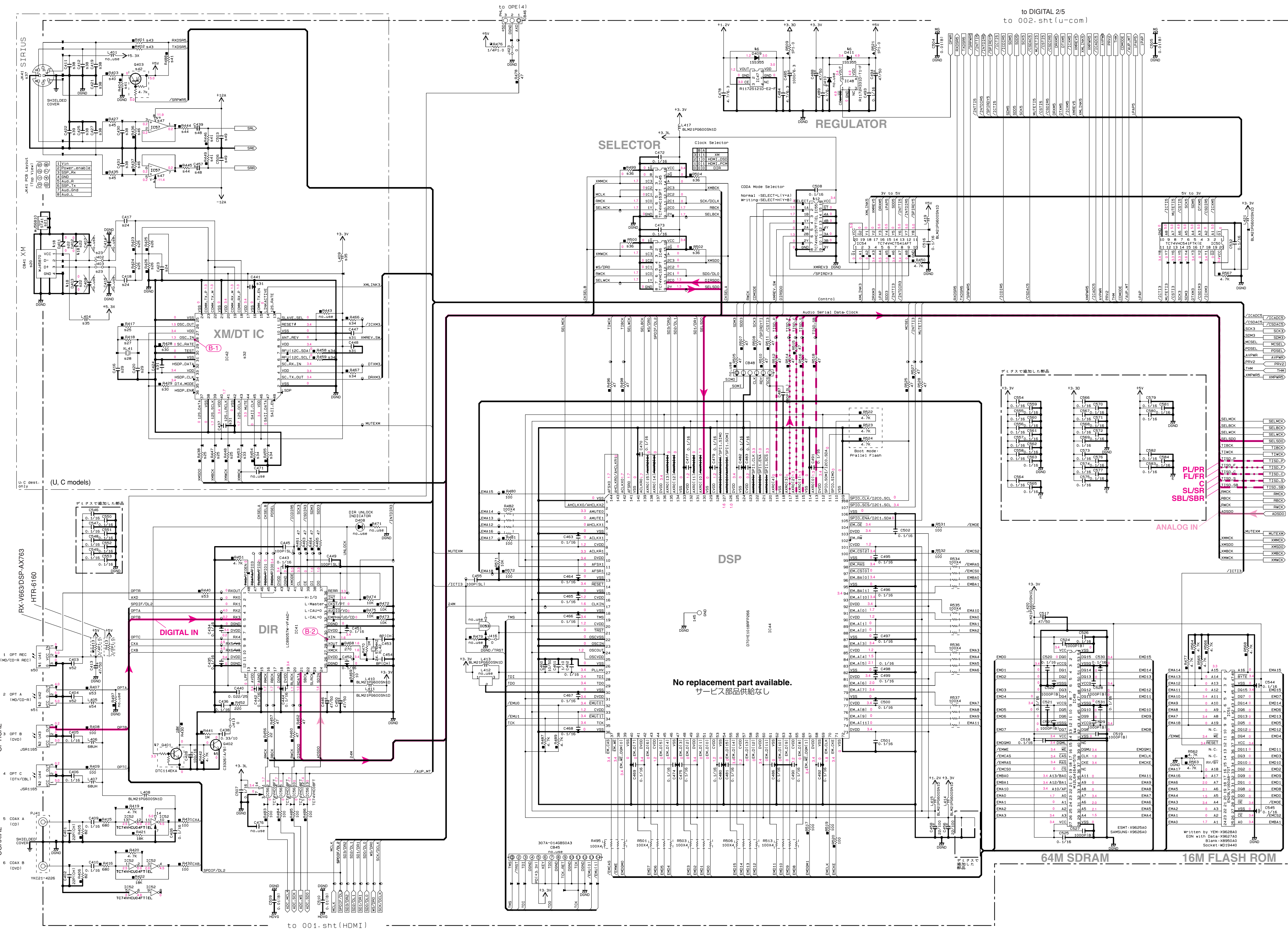
Table with 2 columns: RESISTOR, PARTS NAME. Lists various resistor types like carbon film, metal oxide, etc.

to 003.sht (DSP) to DIGITAL 3/5

\* s1 - 19:002.sht (u-com) s20-80:004.sht (DSP) s81-99:005.sht (DVIDEO)

Destination Part List table with columns for DSP-AX763, RX-V663, DSP-AX763, RX-V663, HTR-6160 and rows for various components like resistors, capacitors, and ICs.

DIGITAL 3/5



s1 ~19:002.sht(u-com)  
 \*s20-80:004.sht(DSP)  
 s81-99:005.sht(DVIDEO)

Destination Part List

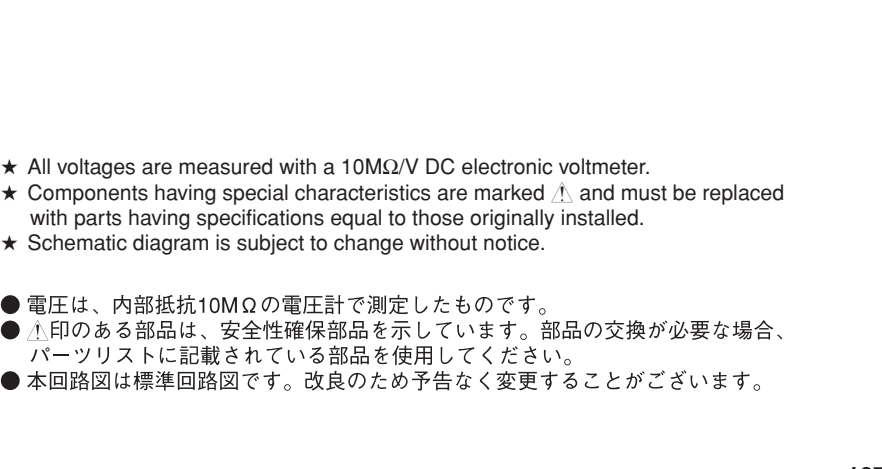
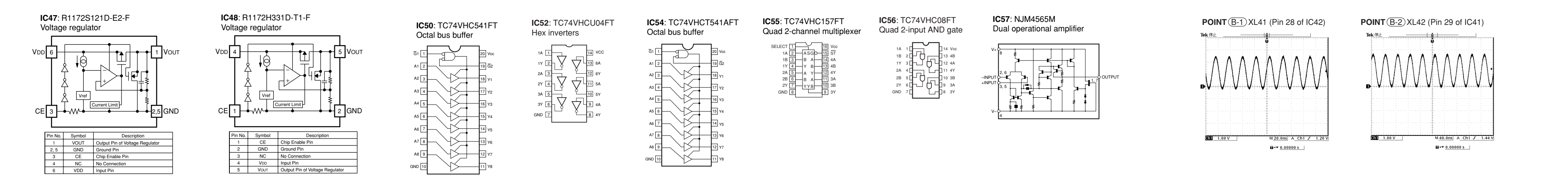
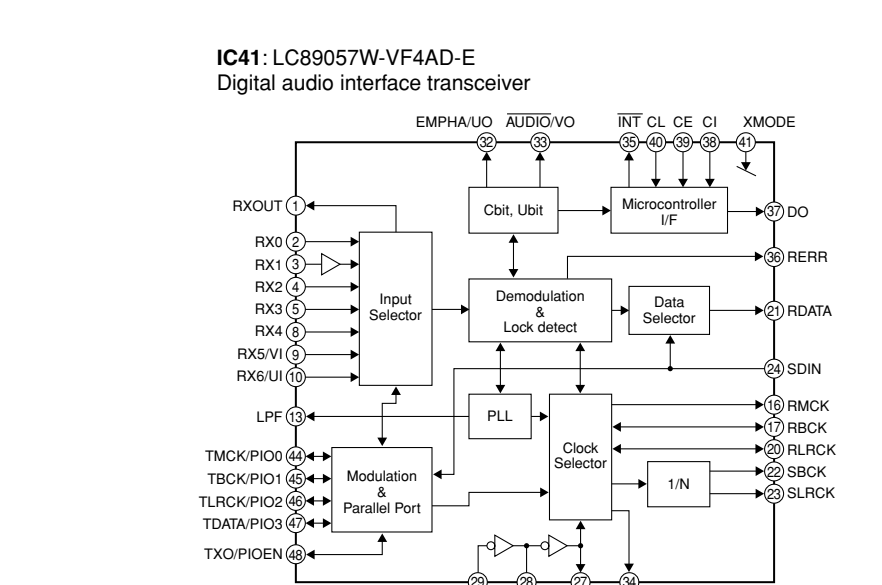
LOC	DSP AX763	RX-V663/HTR-6160	RX-V663	DSP AX763	RX-V663/HTR-6160	RX-V663
800 CB41	X	UC	X	X	X	X
801 ST41	X	NJ58810	X	X	X	X
802 DM01	X	AVL161A1R1HTB	X	X	X	X
803 J403	X	RC35000	X	X	X	X
804 CA17	X	UB3510	X	X	X	X
805 RA23	X	RC35510	X	X	X	X
806 RA25	X	RC35510	X	X	X	X
807 RA18	X	RC35510	X	X	X	X
808 AL41	X	MM49530	X	X	X	X
809 RA29	X	RC35510	X	X	X	X
810 RA29	X	RC35510	X	X	X	X
811 CA24	X	UB13510	X	X	X	X
812 CA48	X	UB13510	X	X	X	X
813 IC42	X	FB014C3-TB	X	X	X	X
814 RA53	X	RC35447	X	X	X	X
815 RA54	X	RC35720	X	X	X	X
816 L404	X	V244990	X	X	X	X
817 L408	X	BLM160009D10	X	X	X	X
818 RA04	X	RC35510	X	X	X	X
819 RA04	X	RC35510	X	X	X	X
820 RA04	X	RC35510	X	X	X	X
821 RA04	X	RC35510	X	X	X	X
822 RA04	X	RC35510	X	X	X	X
823 RA04	X	RC35510	X	X	X	X
824 RA04	X	RC35510	X	X	X	X
825 RA04	X	RC35510	X	X	X	X
826 RA04	X	RC35510	X	X	X	X
827 RA04	X	RC35510	X	X	X	X
828 RA04	X	RC35510	X	X	X	X
829 RA04	X	RC35510	X	X	X	X
830 RA04	X	RC35510	X	X	X	X
831 RA04	X	RC35510	X	X	X	X
832 RA04	X	RC35510	X	X	X	X
833 RA04	X	RC35510	X	X	X	X
834 RA04	X	RC35510	X	X	X	X
835 RA04	X	RC35510	X	X	X	X
836 RA04	X	RC35510	X	X	X	X
837 RA04	X	RC35510	X	X	X	X
838 RA04	X	RC35510	X	X	X	X
839 RA04	X	RC35510	X	X	X	X
840 RA04	X	RC35510	X	X	X	X
841 RA04	X	RC35510	X	X	X	X
842 RA04	X	RC35510	X	X	X	X
843 RA04	X	RC35510	X	X	X	X
844 RA04	X	RC35510	X	X	X	X
845 RA04	X	RC35510	X	X	X	X
846 RA04	X	RC35510	X	X	X	X
847 RA04	X	RC35510	X	X	X	X
848 RA04	X	RC35510	X	X	X	X
849 RA04	X	RC35510	X	X	X	X
850 RA04	X	RC35510	X	X	X	X
851 RA04	X	RC35510	X	X	X	X
852 RA04	X	RC35510	X	X	X	X
853 RA04	X	RC35510	X	X	X	X
854 RA04	X	RC35510	X	X	X	X

REMARKS PARTS NAME

REMARKS	PARTS NAME	UNIT
ND MARK	ELECTROLYTIC CAPACITOR	PF
ND MARK	INITIAL CAPACITOR	
ND MARK	CERAMIC CAPACITOR	
ND MARK	CERAMIC TUBULAR CAPACITOR	
ND MARK	POLYESTER FILM CAPACITOR	
ND MARK	POLYETHYLENE FILM CAPACITOR	
ND MARK	POLYPROPYLENE FILM CAPACITOR	
ND MARK	SEMI-CONDUCTIVE CERAMIC CAPACITOR	
ND MARK	POLYVINYLENE SULFIDE FILM CAPACITOR	

NOTICE (note1)

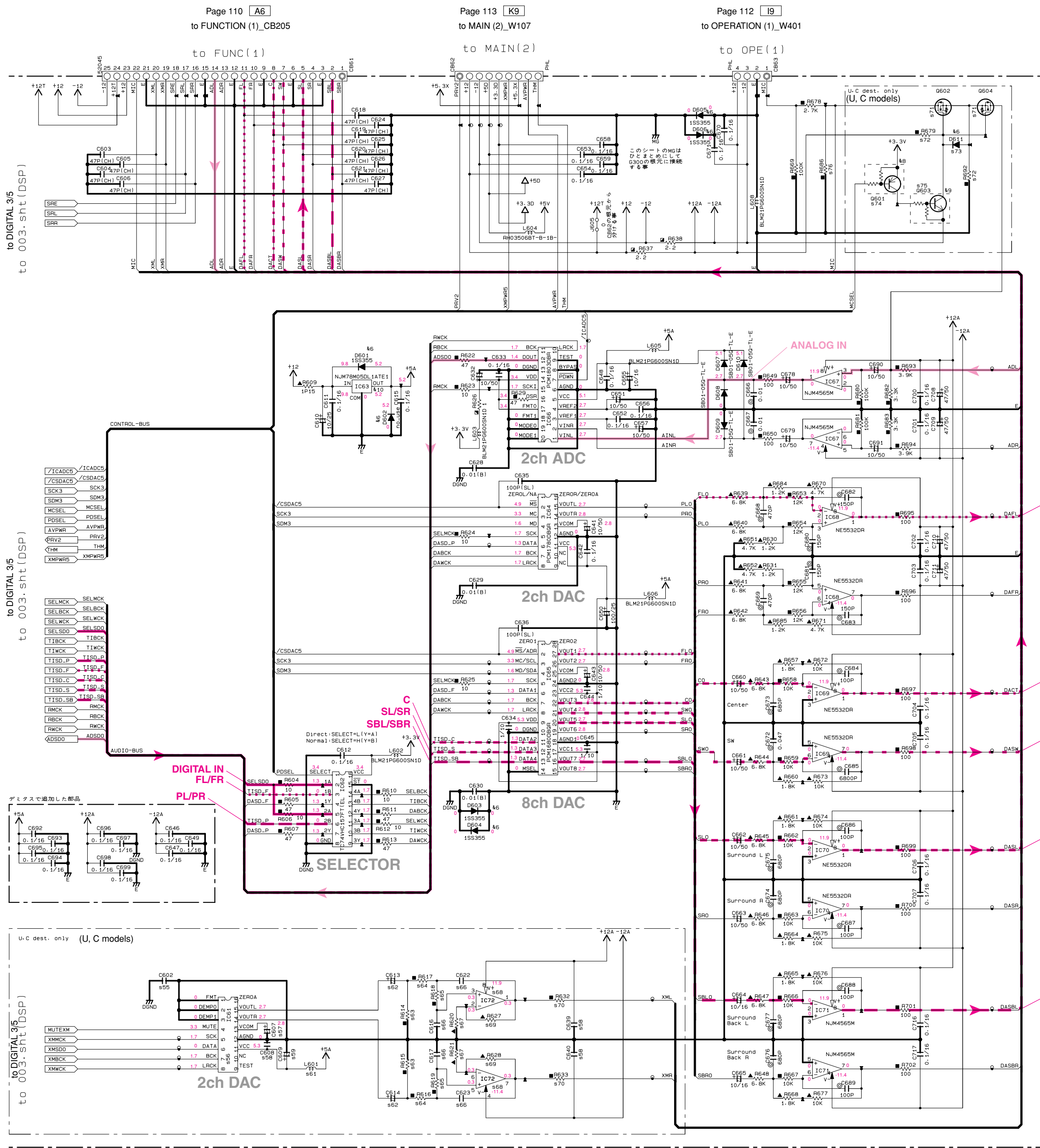
REMARKS	PARTS NAME	UNIT
ND MARK	RESISTOR	
ND MARK	CARBON FILM RESISTOR (P=5)	
ND MARK	CARBON FILM RESISTOR (P=10)	
ND MARK	METAL OXIDE FILM RESISTOR	
ND MARK	METAL FILM RESISTOR	
ND MARK	METAL GLAZE RESISTOR	
ND MARK	FINE PROOF CARBON FILM RESISTOR	
ND MARK	CEMENT MIXED RESISTOR	
ND MARK	SEMIVARIABLE RESISTOR	
ND MARK	CHIP RESISTOR	



- \* All voltages are measured with a 10MΩ/V DC electronic voltmeter.
- \* Components having special characteristics are marked with a triangle and must be replaced with parts having specifications equal to those originally installed.
- \* Schematic diagram is subject to change without notice.

●電圧は、内部抵抗10MΩの電圧計で測定したものです。  
 ●△印のある部品は、安全確保部品を示しています。部品の交換が必要な場合、パーツリストに記載されている部品を使用してください。  
 ●本回路図は標準回路図です。改良のため予告なく変更することがございます。

DIGITAL 4/5



Interchangeable Parts at Manufacture-Stage

Mark	Reference Parts Number	Parts Name
41	U41	UJT1165 GP1FAY51K0F
42	U42-44	U51165 GP1FAY51K0F
43		
44	IC49	M12L64164A-STG K45641632K-UC0000
45	Q402	2SC3321A(B) 2SC3328(B) 2SC5081A(B) 2SD2704K(I) 2SD1308(F)ST KTC2875-B
46	D112, 150, 152-154, 156, 162 300, 301, 303, 310, 313-314 316, 409, 411, 601 603-606, 611, 800-805 809, 811-814, 820	ISS395 M4U1150L KDS160-RTK/P
47	Q401	DT11464A KRC1045-RTK/P
48	Q601	DTA1464A KRA1025-RTK/P
49	Q603	DT12464A KRC1035-RTK/P
410	IC63	NJM78M05DL1ATE1 K1A78M5P
411		
412		
413		
414		
415	Q108-111, 301	DT1464A KRC1045-RTK/P
416		
417	Q304	DTA1464A KRA1025-RTK/P
418	D401-403	AVR161A14INTB SDV1608-100C9V9PT
419		

s1 ~19:002.sht(u-com)  
s20-80:004.sht(DSP)  
s81-99:005.sht(DVIDEO)

Destination Part List

sxx	LOC	DSP-AX763	RX-V663HTR-6160	RX-V663	DSP-AX763	RX-V663HTR-6160	RX-V663	HTR-6160
955	C602	X	U906410 0-01181	X	X	X	X	X
956	IC61	X	U7378AD PCN178108GR	X	X	X	X	X
957	C607	X	U93710 10-1716	X	X	X	X	X
958	C640 C608 C639	X	U513610 0-1716	X	X	X	X	X
959	C609	X	U921810 10-00-3	X	X	X	X	X
960	L601	X	U944990 BLM21P0600N10	X	X	X	X	X
962	CE13 CE14	X	U93747 47-116	X	X	X	X	X
963	RE15 RE14	X	RD35710 10-	X	X	X	X	X
964	RE17 RE16	X	RD36639 3.9K	X	X	X	X	X
965	RE18 RE19	X	RD36627 2-7K	X	X	X	X	X
966	CE22 CE16 CE17	X	U516310 1000P	X	X	X	X	X
967	RE20 RE21	X	RF30633 3.3K	X	X	X	X	X
968	IC72	X	X7378AD NLM4569M	X	X	X	X	X
969	RE27 RE28	X	RF30615 1.5K	X	X	X	X	X
970	RE33 RE32	X	RD36610 1K	X	X	X	X	X
971	RE54 RE52	X	WN81410 5W0218-E	X	X	X	X	WN1641E 5W0218-E
972	RE59 RE79	X	RD36610 100K	X	X	X	X	RD36610 100K
973	DE11	X	VY33990 ISS395	X	X	X	X	VY33990 ISS395
974	DE01	X	VY95900 DTA1464A	X	X	X	X	VY95900 DTA1464A
975	DE03	X	VY95950 DT12464A	X	X	X	X	VY95950 DT12464A
976	RE86	RD36747 47K	X	RD36747 47K	RD36747 47K	RD36747 47K	RD36747 47K	RD36747 47K

CAPACITOR

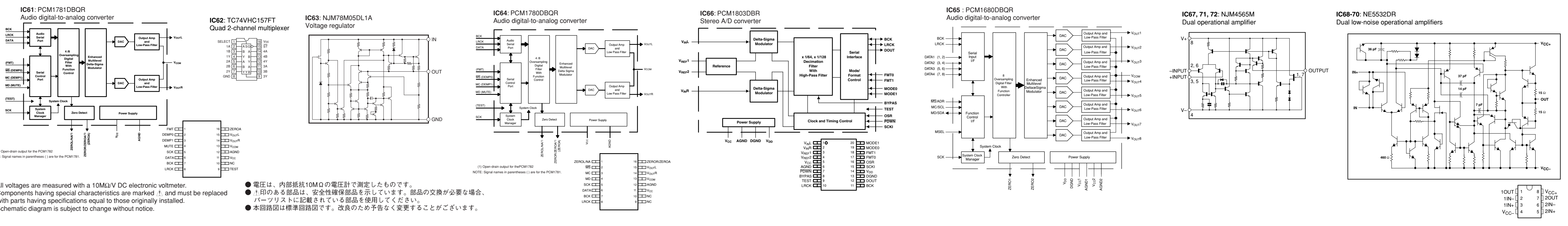
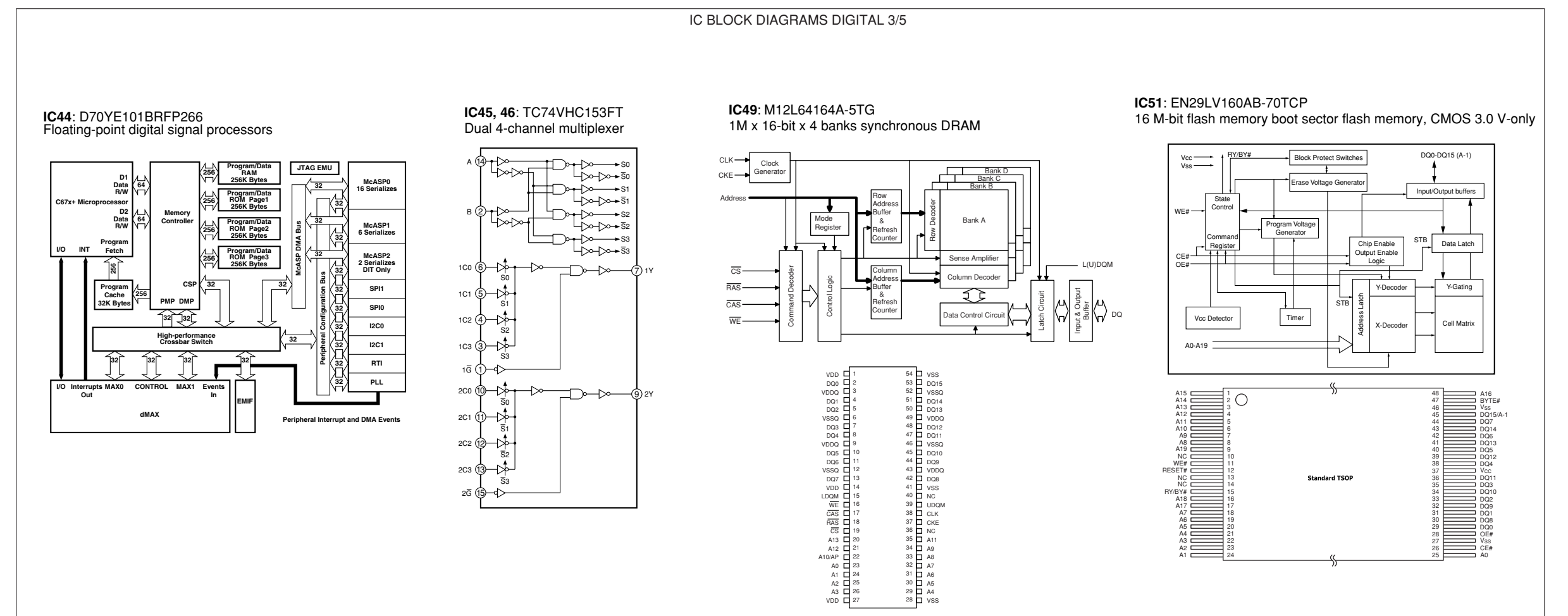
REMARKS	PARTS NAME
NO MARK	ELECTROLYTIC CAPACITOR
NO MARK	TANTALUM CAPACITOR
NO MARK	CERAMIC CAPACITOR
⊖	CERAMIC TUBULAR CAPACITOR
⊙	POLYESTER FILM CAPACITOR
⊕	POLYSTYRENE FILM CAPACITOR
⊗	POLYPROPYLENE FILM CAPACITOR
⊘	POLYPHENYLENE SULFIDE FILM CAPACITOR

RESISTOR

REMARKS	PARTS NAME
NO MARK	CARBON FILM RESISTOR [P=5]
⊖	METAL OXIDE FILM RESISTOR
⊙	CERAMIC TUBULAR RESISTOR
⊕	METAL FILM RESISTOR
⊗	METAL PLATE RESISTOR
⊘	FIRE PROOF CARBON FILM RESISTOR
⊙	MICA CAPACITOR
⊗	SEMIVARIABLE RESISTOR
⊘	CHIP RESISTOR

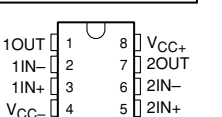
NOTICE (model)

(J)..... JAPAN  
(U)..... U.S.A  
(C)..... CANADA  
(R)..... GENERAL  
(T)..... CHINA  
(K)..... KOREA  
(A)..... AUSTRALIA  
(B)..... BRITISH  
(E)..... EUROPE  
(L)..... SINGAPORE  
(V)..... SOUTH EUROPE  
(F)..... TAIWAN  
(R)..... RUSSIAN



\* All voltages are measured with a 10MQ/V DC electronic voltmeter.  
\* Components having special characteristics are marked with a triangle and must be replaced with parts having specifications equal to those originally installed.  
\* Schematic diagram is subject to change without notice.

● 電圧は、内部抵抗10MQの電圧計で測定したものです。  
● 三角形印のある部品は、安全性確保部品を示しています。部品の交換が必要な場合、パーツリストに記載されている部品を使用してください。  
● 本回路図は標準回路図です。改良のため予告なく変更することがございます。



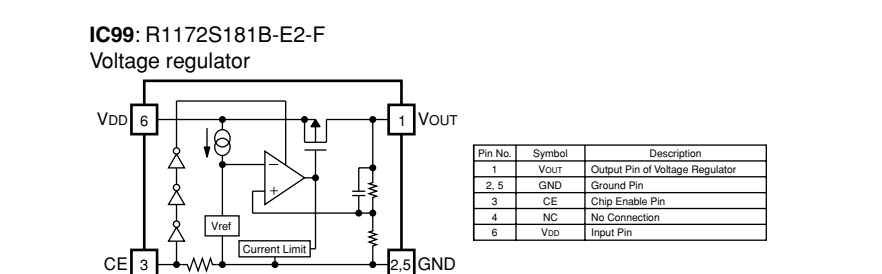
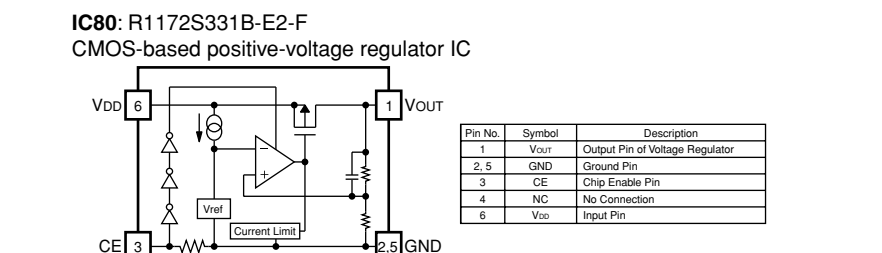
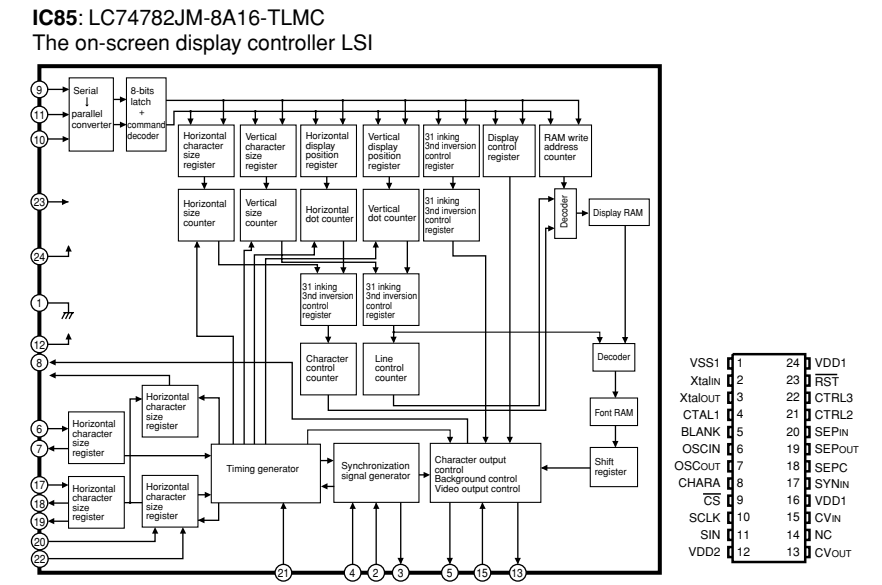
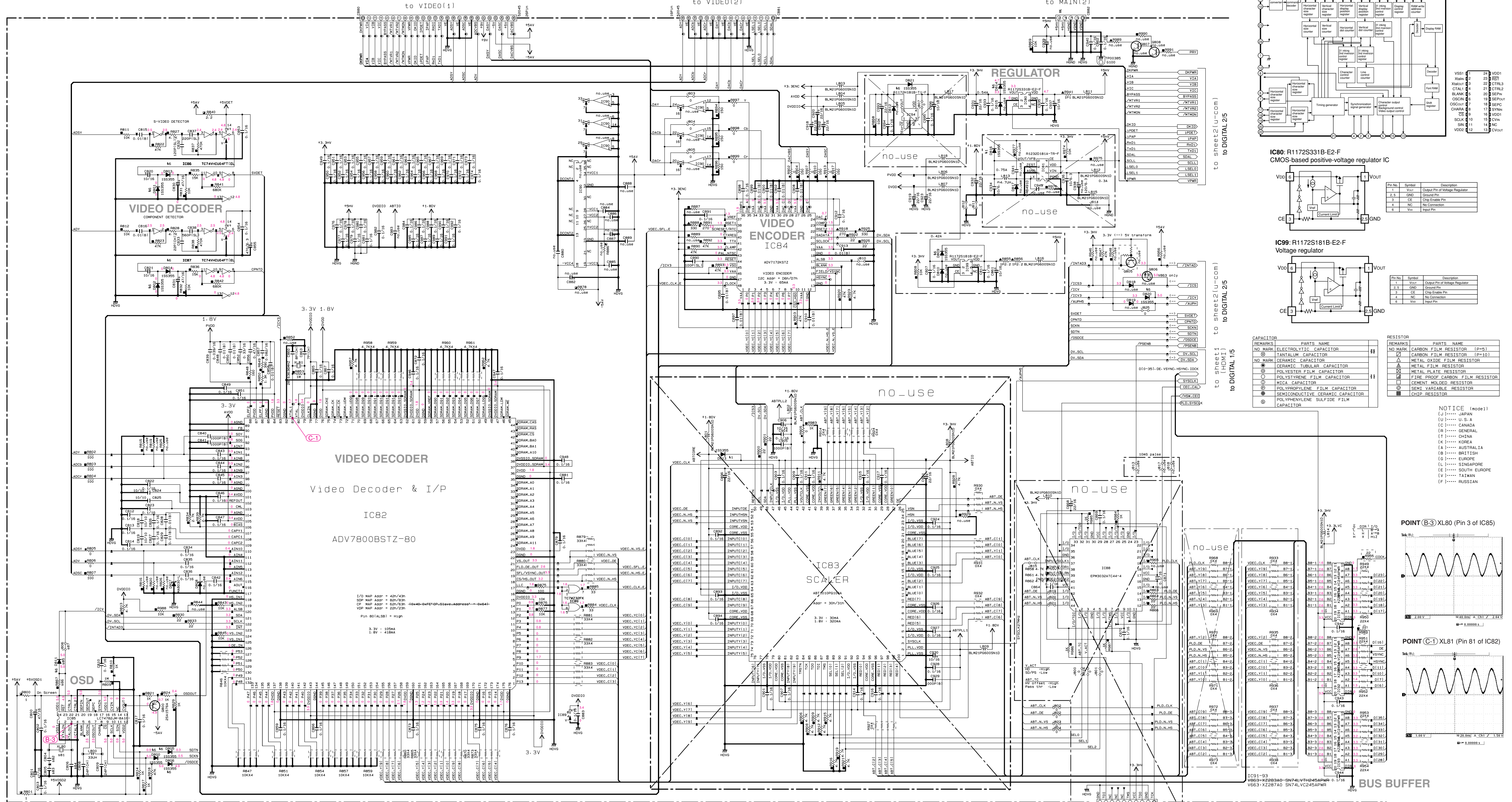


DIGITAL 5/5

Page 114 [K6] to VIDEO (1)\_CB305

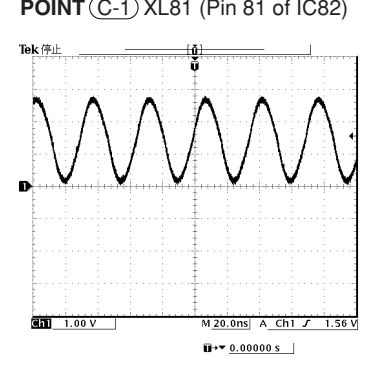
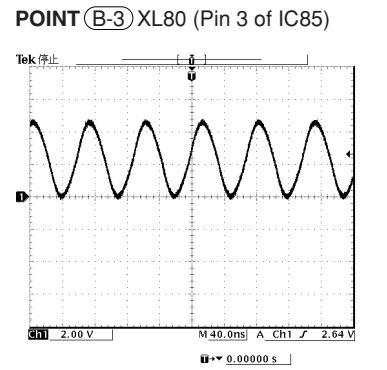
Page 115 [I9] to VIDEO (2)\_CB356

Page 113 [K8] to MAIN (2)\_W109



REMARKS	PARTS NAME	REMARKS	PARTS NAME
NO MARK	ELECTROLYTIC CAPACITOR	NO MARK	CARBON FILM RESISTOR (P=5)
NO MARK	TANTALUM CAPACITOR	NO MARK	CARBON FILM RESISTOR (P=10)
NO MARK	CERAMIC CAPACITOR	NO MARK	METAL FILM RESISTOR
NO MARK	CERAMIC TUBE-LAS. CAPACITOR	NO MARK	POLYESTER FILM RESISTOR
NO MARK	POLYESTER FILM CAPACITOR	NO MARK	FINE TUNING CARBON FILM RESISTOR
NO MARK	MICA CAPACITOR	NO MARK	CEMENT MOLDED RESISTOR
NO MARK	POLYPROPYLENE FILM CAPACITOR	NO MARK	SEMIVARIABLE RESISTOR
NO MARK	SEMICONDUCTIVE CERAMIC CAPACITOR	NO MARK	OHM RESISTOR
NO MARK	POLYPROPYLENE SULFIDE FILM CAPACITOR	NO MARK	

NOTICE (node1)  
 (J) JAPAN  
 (U) U.S.A.  
 (C) CANADA  
 (G) GENERAL  
 (I) CHINA  
 (A) AUSTRALIA  
 (K) KOREA  
 (S) SINGAPORE  
 (E) SOUTH EUROPE  
 (V) TAIWAN  
 (R) RUSSIAN



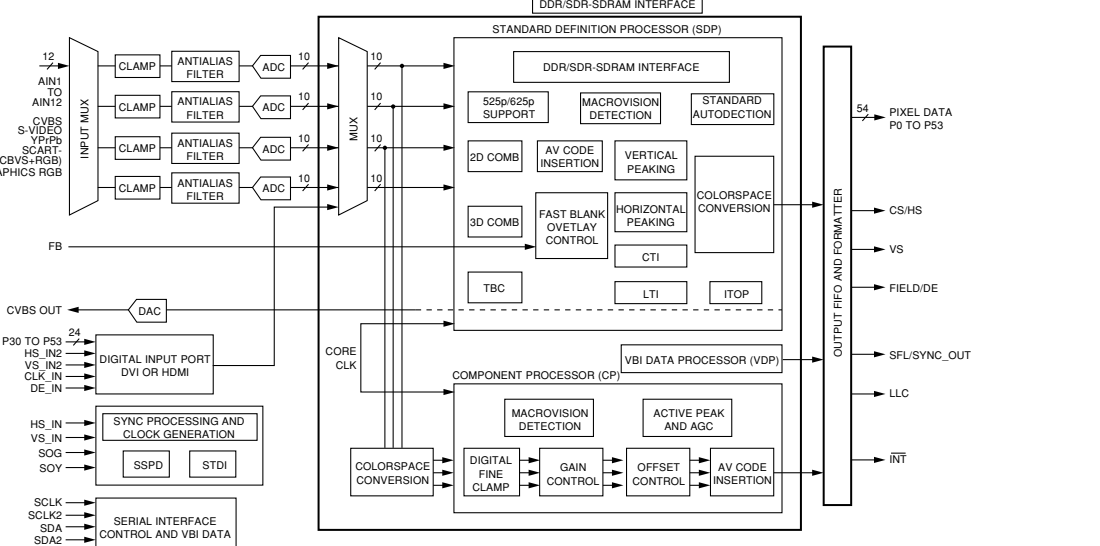
s1 -19:002.sht[u-com]  
 s20-80:004.sht [DSP]  
 \*s81-99:005.sht [DVIDEO]

LOC	DSP AX763	RX V663	DSP AX763	RX V663	DSP AX763	RX V663
881	XLB0	4K000000	4K000000	4K000000	4K000000	4K000000
882	CR84	US06020	US06020	US06020	US06020	US06020
883	CR85	US06110	US06110	US06110	US06110	US06110
884	CR86	US06020	US06020	US06020	US06020	US06020
885	CR87	VT33200	VT33200	VT33200	VT33200	VT33200
886	CR87	RE02047	RE02047	RE02047	RE02047	RE02047
887	CR88	RD05500	RD05500	RD05500	RD05500	RD05500

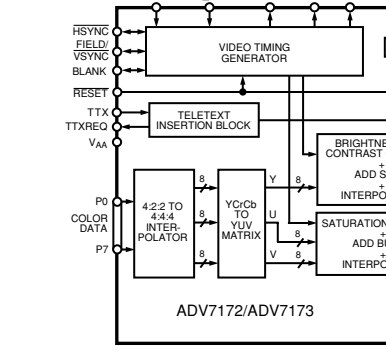
DVIDEO  
 CB/IC/XL:80 -99  
 OTHER :800-999

DIGITAL (5)

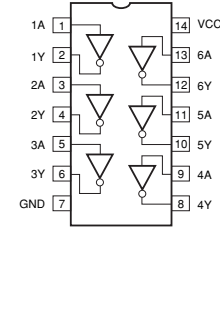
IC84: ADV7800BSTZ-80  
 10-bit, SDTV/HDTV 3D comb filter, video decoder and graphics digitizer



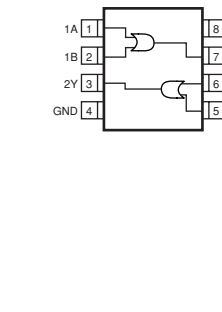
IC84: ADV712KSTZ  
 Digital PAL/NTSC video encoder



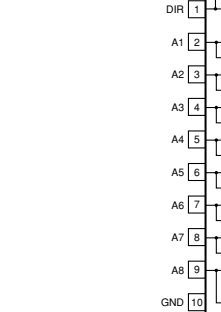
IC86, 87: TC74VHC04FT  
 Hex inverters



IC89: TC7V232FK (TE85L, F)  
 Dual 2-input OR gate



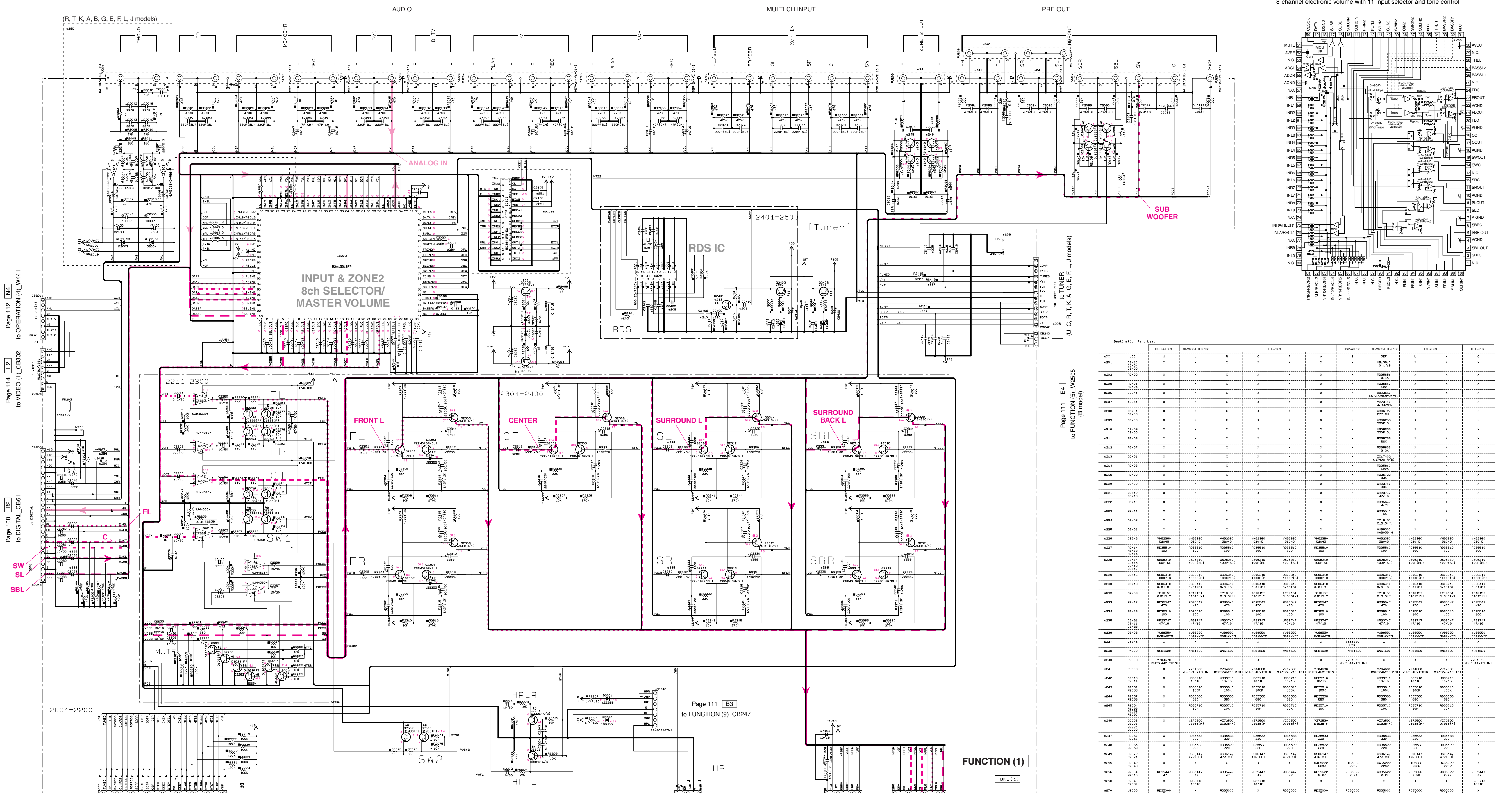
IC91-93: SN74LVC245APWR  
 Octal bus transceivers with 3-state outputs



\* All voltages are measured with a 10MΩ/V DC electronic voltmeter.  
 \* Components having special characteristics are marked with a triangle (▲), and must be replaced with parts having specifications equal to those originally installed.  
 \* Schematic diagram is subject to change without notice.

● 電圧は、内部抵抗10MΩの電圧計で測定したものです。  
 ● ▲印のある部品は、安全性確保部品を示しています。部品の交換が必要な場合、パーツリストに記載されている部品を使用してください。  
 ● 本回路図は標準回路図です。改良のため予告なく変更することがございます。

FUNCTION 1/2



IC202: R2A15218FP 8-channel electronic volume with 11 input selector and tone control

Page 112 [N4] to OPERATION (4)\_W441

Page 114 [H2] to VIDEO (1)\_CB302

Page 108 [B2] to DIGITAL\_CB61

Page 111 [E4] to FUNCTION (5)\_W2505 (U.C.R.T.K.A.G.E.L.J models) (B model)

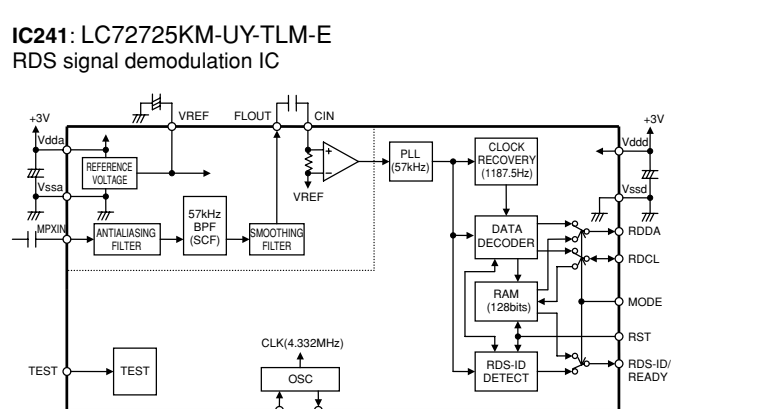
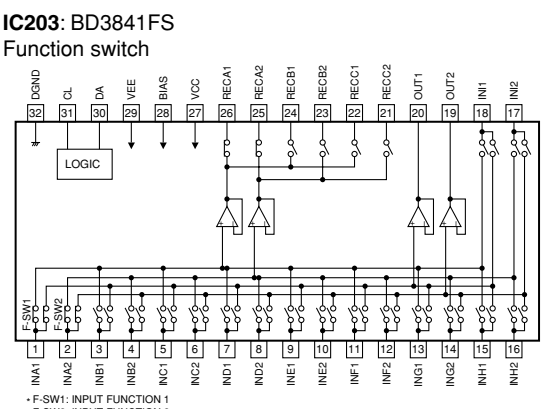
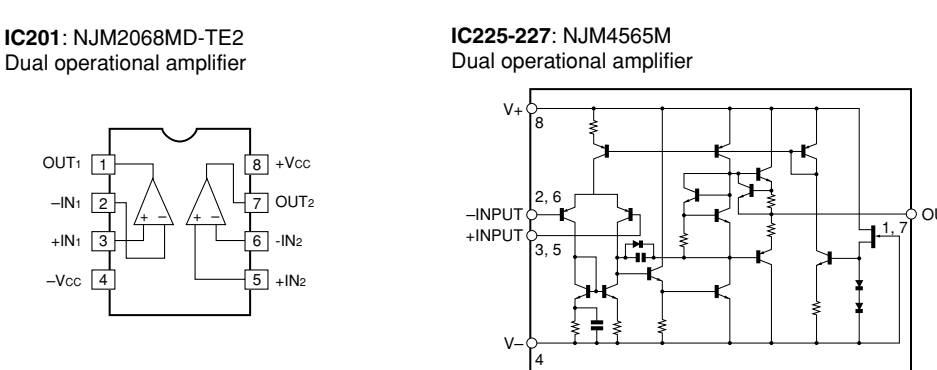
Page 111 [B3] to FUNCTION (9)\_CB247

Page 106 [I2] to DIGITAL\_CB34

Page 112 [J9] to OPERATION (1)\_W402

Page 113 [B10] to MAIN (1)\_W106

Page 113 [B4] to MAIN (1)\_W105



COMPONENT LIST

REF. NO.	QTY	DESCRIPTION	MANUFACTURER
RESISTOR			
CAPACITOR			

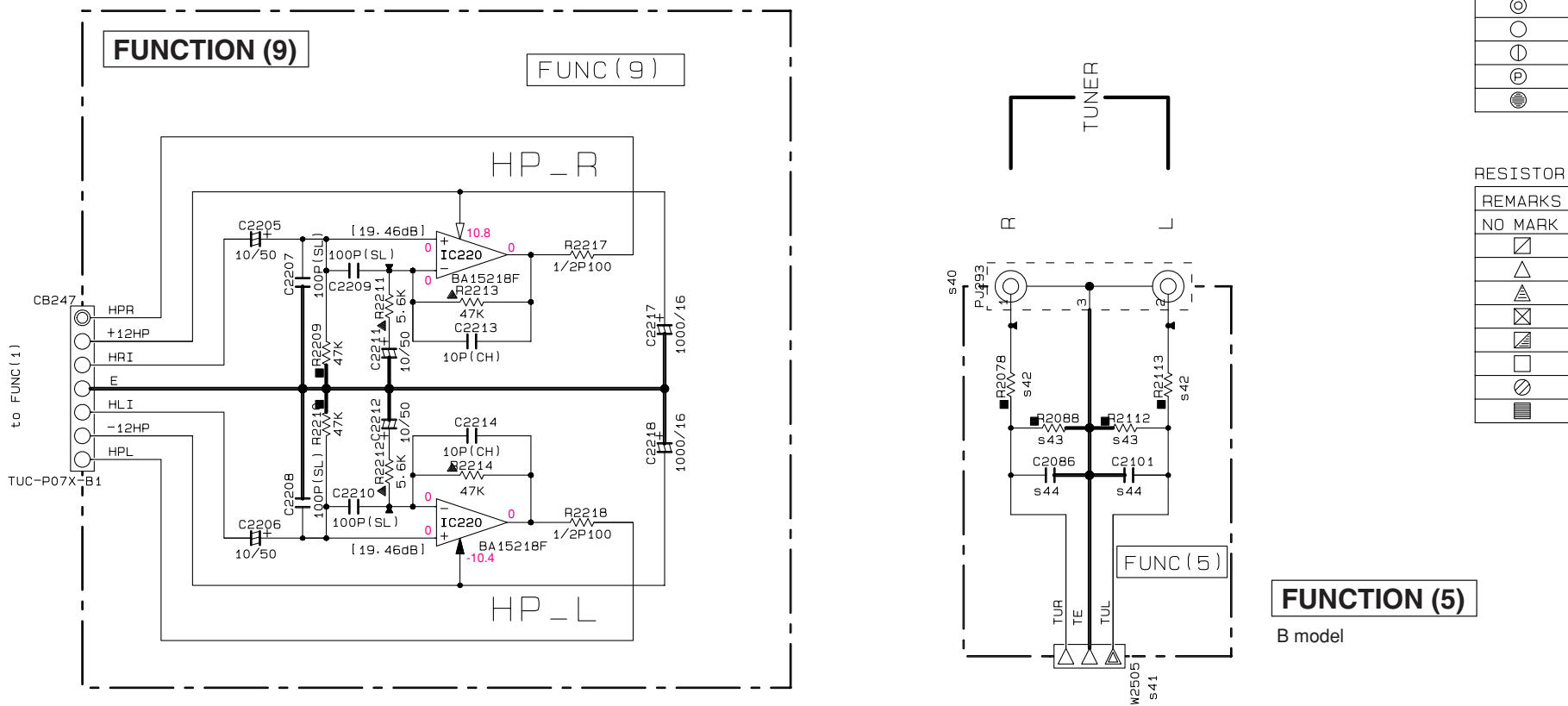
Interchangeable Parts at Manufacture Stage

Part No.	Part Name	Part No.	Part Name	Part No.	Part Name
41	0504	42	0505	43	0510-2514
44	0510-2514	45	0510-2514	46	0510-2514
47	0510-2514	48	0510-2514	49	0510-2514
50	0510-2514	51	0510-2514	52	0510-2514

\* All voltages are measured with a 10MΩ/V DC electronic voltmeter.  
 \* Components having special characteristics are marked ▲ and must be replaced with parts having specifications equal to those originally installed.  
 \* Schematic diagram is subject to change without notice.

● 電圧は、内部抵抗10MΩの電圧計で測定したものです。  
 ● ▲印のある部品は、安全性確保部品を示しています。部品の交換が必要な場合、パーツリストに記載されている部品を使用してください。  
 ● 本回路図は標準回路図です。改良のため予告なく変更することがございます。

FUNCTION 2/2



**CAPACITOR**

REMARKS	PARTS NAME
⊗	ELECTROLYTIC CAPACITOR
⊕	TANTALUM CAPACITOR
NO MARK	CERAMIC CAPACITOR
⊙	CERAMIC TUBULAR CAPACITOR
⊚	POLYESTER FILM CAPACITOR
○	POLYSTYRENE FILM CAPACITOR
①	MICA CAPACITOR
⊖	POLYPROPYLENE FILM CAPACITOR
⊙	SEMICONDUCTIVE CERAMIC CAPACITOR

**RESISTOR**

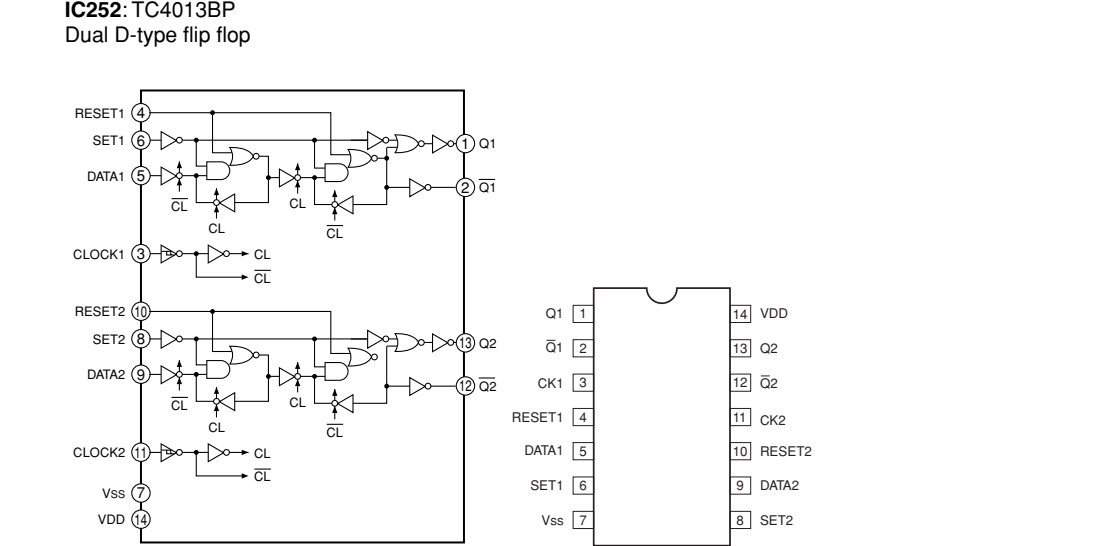
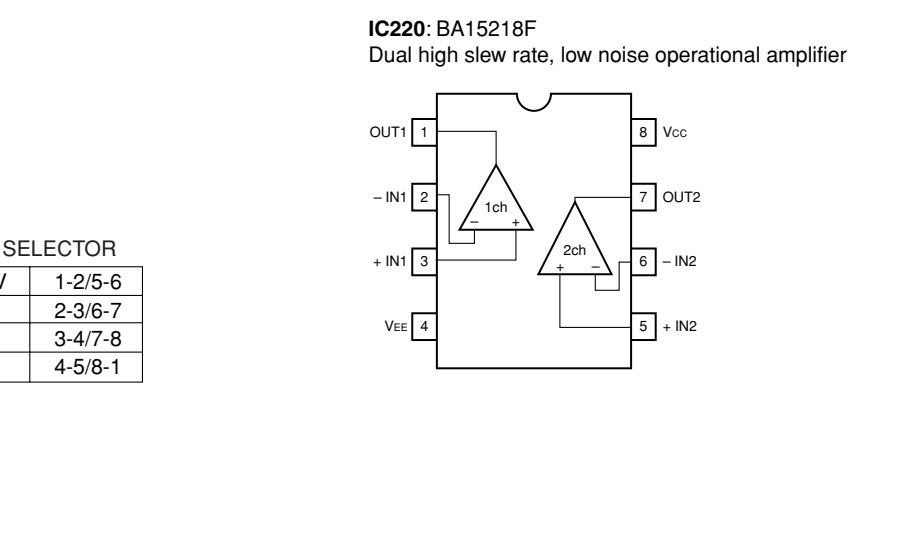
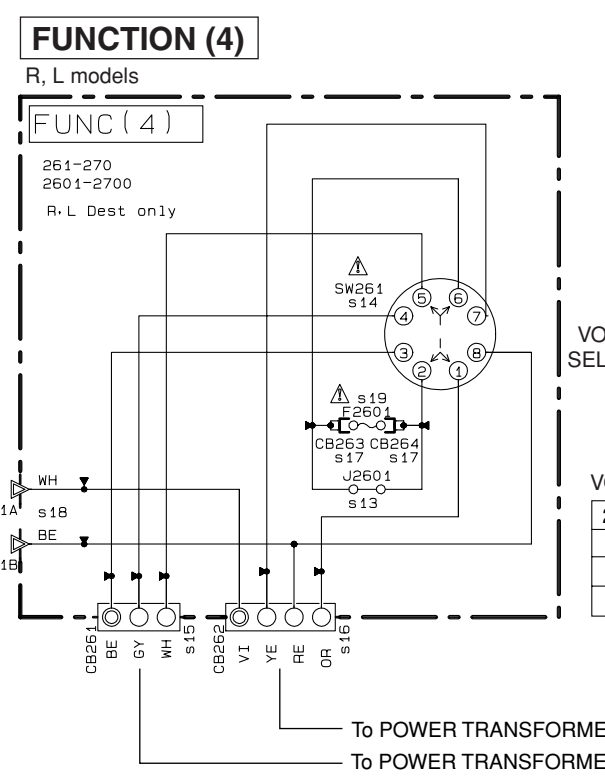
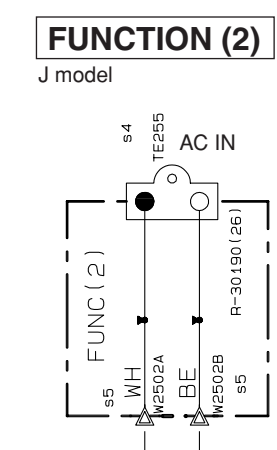
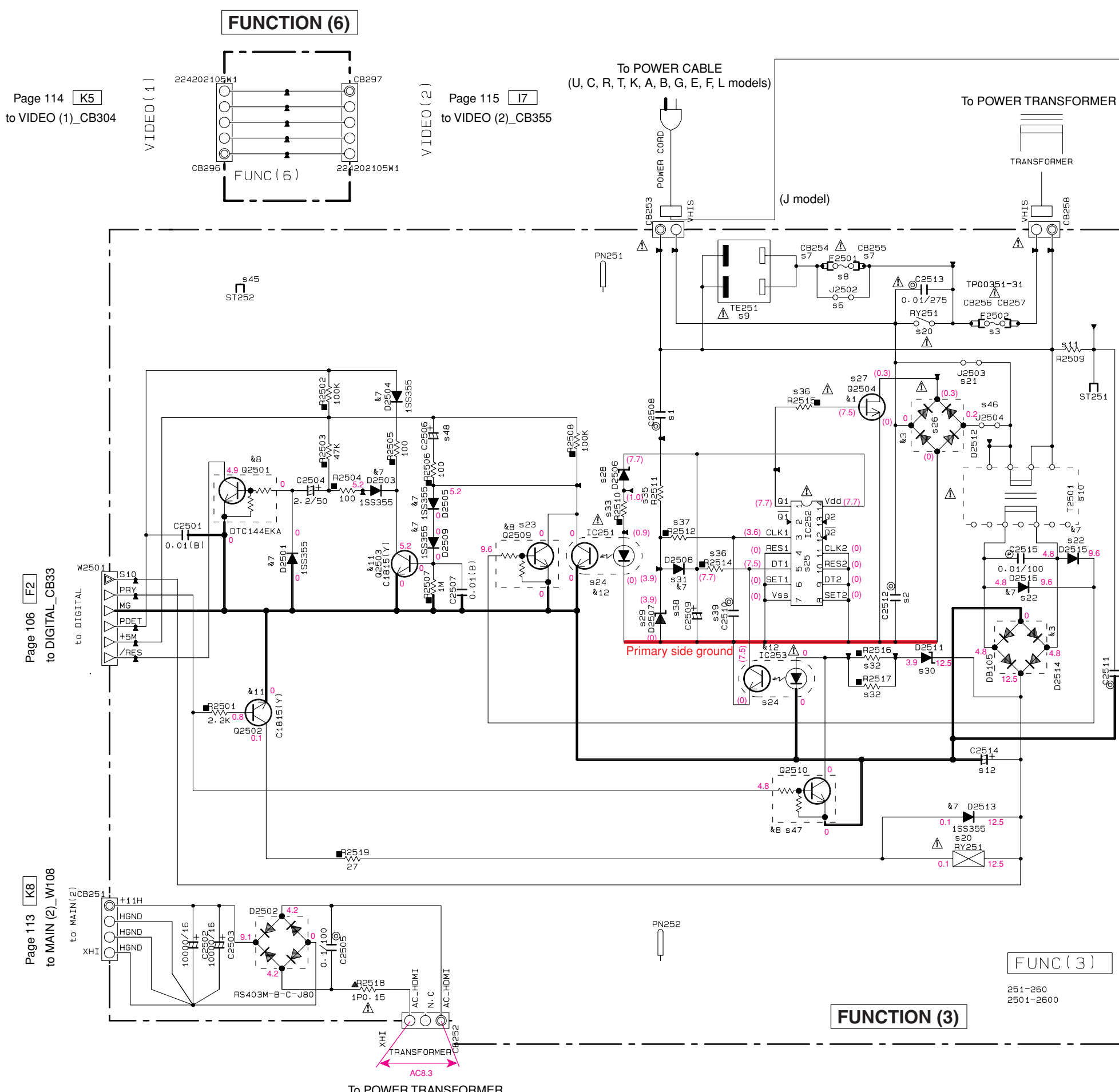
REMARKS	PARTS NAME
NO MARK	CARBON FILM RESISTOR (P=5)
⊖	CARBON FILM RESISTOR (P=10)
⊕	METAL OXIDE FILM RESISTOR
⊗	METAL FILM RESISTOR
⊚	METAL PLATE RESISTOR
⊖	FIRE PROOF CARBON FILM RESISTOR
⊕	CEMENT MOLDED RESISTOR
⊖	SEMI VARIABLE RESISTOR
⊙	CHIP RESISTOR

NOTICE (model)

(J)..... JAPAN  
(U)..... U.S. A  
(C)..... CANADA  
(R)..... GENERAL  
(T)..... CHINA  
(K)..... KOREA  
(A)..... AUSTRALIA  
(B)..... BRITISH  
(G)..... EUROPE  
(L)..... SINGAPORE  
(E)..... SOUTH EUROPE  
(V)..... TAIWAN  
(F)..... RUSSIAN

Destination Part List

sXX	LOC	J	U	R	C	T	A	B	GEF	L	K
S1	C2508	MJ36120 0.047/400	X	MJ36180 0.033/630	X	MJ36180 0.033/630	MJ36180 0.033/630	MJ36180 0.033/630	MJ36180 0.033/630	MJ36180 0.033/630	MJ36180 0.033/630
S2	C2512	WM69630 0.1/400	X	WD25760 0.047/800	X	WD25760 0.047/800	WD25760 0.047/800	WD25760 0.047/800	WD25760 0.047/800	WD25760 0.047/800	WD25760 0.047/800
S3	F2502	W641080 10A125V	W641080 10A125V	W641080 10A125V	W641080 10A125V	W641080 10A125V	KB00078 TSAL250V	KB00078 TSAL250V	KB00078 TSAL250V	KB00078 TSAL250V	KB00078 TSAL250V
S4	TE255	WB70050 R-301901261	X	X	X	X	X	X	X	X	X
S5	M2502B M2502A	VB41190 VH-5T	X	X	X	X	X	X	X	X	X
S6	J2502	VN50000	X	X	X	X	X	X	X	X	X
S7	CB254 CB255	X	MN10300 TP00351-31	MN10300 TP00351-31	MN10300 TP00351-31	MN10300 TP00351-31	MN10300 TP00351-31	MN10300 TP00351-31	MN10300 TP00351-31	MN10300 TP00351-31	X
S8	F2501	X	W641080 10A125V	W641080 10A125V	W641080 10A125V	W641080 10A125V	V194290 T2-5AN250V	V194290 T2-5AN250V	V194290 T2-5AN250V	V194290 T2-5AN250V	X
S9	TE251	VU54310 S2-764T-214	VU54310 S2-764T-214	V586740	VU54310 S2-764T-214	V586740	V191500	VU54330	VU54340	VU54340	X
S10	T2501	XM606A0 XM605	XM606A0	X6351A0	XM606A0	XM608A0	XM608A0	XM608A0	XM608A0	XM608A0	XM608A0
S11	R2509	X	W673000 1/2P2-2M	W673000 1/2P2-2M	W673000 1/2P2-2M	W673000 1/2P2-2M	X	X	X	X	X
S12	CE514	UU24933 3300/25	UU24933 3300/25	W004730	UU24933 3300/25	UU24933 3300/25	UU24933 3300/25	UU24933 3300/25	UU24933 3300/25	UU24933 3300/25	UU24933 3300/25
S13	J2601	X	X	X	X	X	X	X	X	X	X
S14	SW251	X	X	MB49370 RB14025A	X	X	X	X	X	X	X
S15	CB261	X	X	V937780 B475-VH	X	X	X	X	X	X	X
S16	CB262	X	X	V937790 B475-VH	X	X	X	X	X	X	X
S17	CB264 CB265	X	MN10300 TP00351-31	MN10300 TP00351-31	MN10300 TP00351-31	MN10300 TP00351-31	MN10300 TP00351-31	MN10300 TP00351-31	MN10300 TP00351-31	MN10300 TP00351-31	X
S18	M260A M260B	X	X	WJ97900 VH-5T	X	X	X	X	X	X	X
S19	F2601	X	X	KB00078 TSAL250V	X	X	X	X	X	X	X
S20	RY251	MJ44660 ALKT321-M01	MJ44660 ALKT321-M01	VU33690 DL36010-1W10.251	MJ44660 ALKT321-M01	MJ44660 ALKT321-M01	MJ44660 ALKT321-M01	MJ44660 ALKT321-M01	MJ44660 ALKT321-M01	MJ44660 ALKT321-M01	MJ44660 ALKT321-M01
S21	J2503	X	VNS0000	X	VNS0000	X	X	X	X	X	X
S22	Q2515	X	V133290 1S5355	X	V133290 1S5355	X	X	X	X	X	X
S23	Q2509	X	VB6570 DTC144EKA	X	VB6570 DTC144EKA	X	X	X	X	X	X
S24	IC253 IC251	VB10050 TLP421GR	X	VB10050 TLP421GR	X	VB10050 TLP421GR	VB10050 TLP421GR	VB10050 TLP421GR	VB10050 TLP421GR	VB10050 TLP421GR	VB10050 TLP421GR
S25	IC252	I600118 TC40138P	X	I600118 TC40138P	X	I600118 TC40138P	I600118 TC40138P	I600118 TC40138P	I600118 TC40138P	I600118 TC40138P	I600118 TC40138P
S26	D2512	MH47170 DB105	X	MH47170 DB105	X	MH47170 DB105	MH47170 DB105	MH47170 DB105	MH47170 DB105	MH47170 DB105	MH47170 DB105
S27	Q2504	WC74120 K3850-E	X	WC74120 K3850-E	X	WC74120 K3850-E	WC74120 K3850-E	WC74120 K3850-E	WC74120 K3850-E	WC74120 K3850-E	WC74120 K3850-E
S28	D2505	VU99380 MAB06B-M	X	VU99380 MAB06B-M	X	VU99380 MAB06B-M	VU99380 MAB06B-M	VU99380 MAB06B-M	VU99380 MAB06B-M	VU99380 MAB06B-M	VU99380 MAB06B-M
S29	D2507	VU99540	X	VU99540	X	VU99540	VU99540	VU99540	VU99540	VU99540	VU99540
S30	D2511	VU99490 MAB091-L	X	VU99490 MAB091-L	X	VU99490 MAB091-L	VU99490 MAB091-L	VU99490 MAB091-L	VU99490 MAB091-L	VU99490 MAB091-L	VU99490 MAB091-L
S31	D2508	V133290 1S5355	X	V133290 1S5355	X	V133290 1S5355	V133290 1S5355	V133290 1S5355	V133290 1S5355	V133290 1S5355	V133290 1S5355
S32	R2517 R2516	RD35622 2-2K	X	RD35622 2-2K	X	RD35622 2-2K	RD35622 2-2K	RD35622 2-2K	RD35622 2-2K	RD35622 2-2K	RD35622 2-2K
S33	R2510	RD35510 100	X	RD35510 100	X	RD35510 100	RD35510 100	RD35510 100	RD35510 100	RD35510 100	RD35510 100
S35	R2511	HF35622 1/2P2-2K	X	HF35622 1/2P2-2K	X	HF35622 1/2P2-2K	HF35622 1/2P2-2K	HF35622 1/2P2-2K	HF35622 1/2P2-2K	HF35622 1/2P2-2K	HF35622 1/2P2-2K
S36	R2514 R2515	RD35622 220K	X	RD35622 220K	X	RD35622 220K	RD35622 220K	RD35622 220K	RD35622 220K	RD35622 220K	RD35622 220K
S37	R2512	RD35910 1M	X	RD35910 1M	X	RD35910 1M	RD35910 1M	RD35910 1M	RD35910 1M	RD35910 1M	RD35910 1M
S38	C2509	UR6610 1/50	X	UR6610 1/50	X	UR6610 1/50	UR6610 1/50	UR6610 1/50	UR6610 1/50	UR6610 1/50	UR6610 1/50
S39	C2510	UA65347 4700P	X	UA65347 4700P	X	UA65347 4700P	UA65347 4700P	UA65347 4700P	UA65347 4700P	UA65347 4700P	UA65347 4700P
S40	PA293	X	X	X	X	X	X	X	X	X	X
S41	M2509	X	X	X	X	X	X	X	X	X	X
S42	R2078 R2113	X	X	X	X	X	X	X	X	X	X
S43	R2088 R2112	X	X	X	X	X	X	X	X	X	X
S44	C2101 C2086	X	X	X	X	X	X	US06147 47P1CH1	X	X	X
S45	ST252	X	X	X	X	X	X	X	X	X	V404050
S46	J2504	VNS0000	X	VNS0000	X	VNS0000	VNS0000	VNS0000	VNS0000	VNS0000	VNS0000
S47	Q2510	VV65570 DTC144EKA	X	VV65570 DTC144EKA	X	VV65570 DTC144EKA	VV65570 DTC144EKA	VV65570 DTC144EKA	VV65570 DTC144EKA	VV65570 DTC144EKA	VV65570 DTC144EKA
S48	C2506	UR86622 2-2/50	UR86610 1/50	UR86622 2-2/50	UR86610 1/50	UR86622 2-2/50	UR86622 2-2/50	UR86622 2-2/50	UR86622 2-2/50	UR86622 2-2/50	UR86622 2-2/50



\* All voltages are measured with a 10MΩ/V DC electronic voltmeter.  
\* Components having special characteristics are marked \* and must be replaced with parts having specifications equal to those originally installed.  
\* Schematic diagram is subject to change without notice.

●電圧は、内部抵抗10MΩの電圧計で測定したものです。  
●\*印のある部品は、安全確保部品を示しています。部品の交換が必要な場合、パナリストに記載されている部品を使用してください。  
●本回路図は標準回路図です。改良のため予告なく変更することがございます。

OPERATION

REMARKS	PARTS NAME
NO MARK	CARBON FILM RESISTOR (P=5)
⊠	CARBON FILM RESISTOR (P=10)
△	METAL OXIDE FILM RESISTOR
⊞	METAL FILM RESISTOR
⊞	METAL PLATE RESISTOR
⊞	FIRE PROOF CARBON FILM RESISTOR
⊞	CEMENT MOLDED RESISTOR
⊞	SEMI VARIABLE RESISTOR
⊞	CHIP RESISTOR

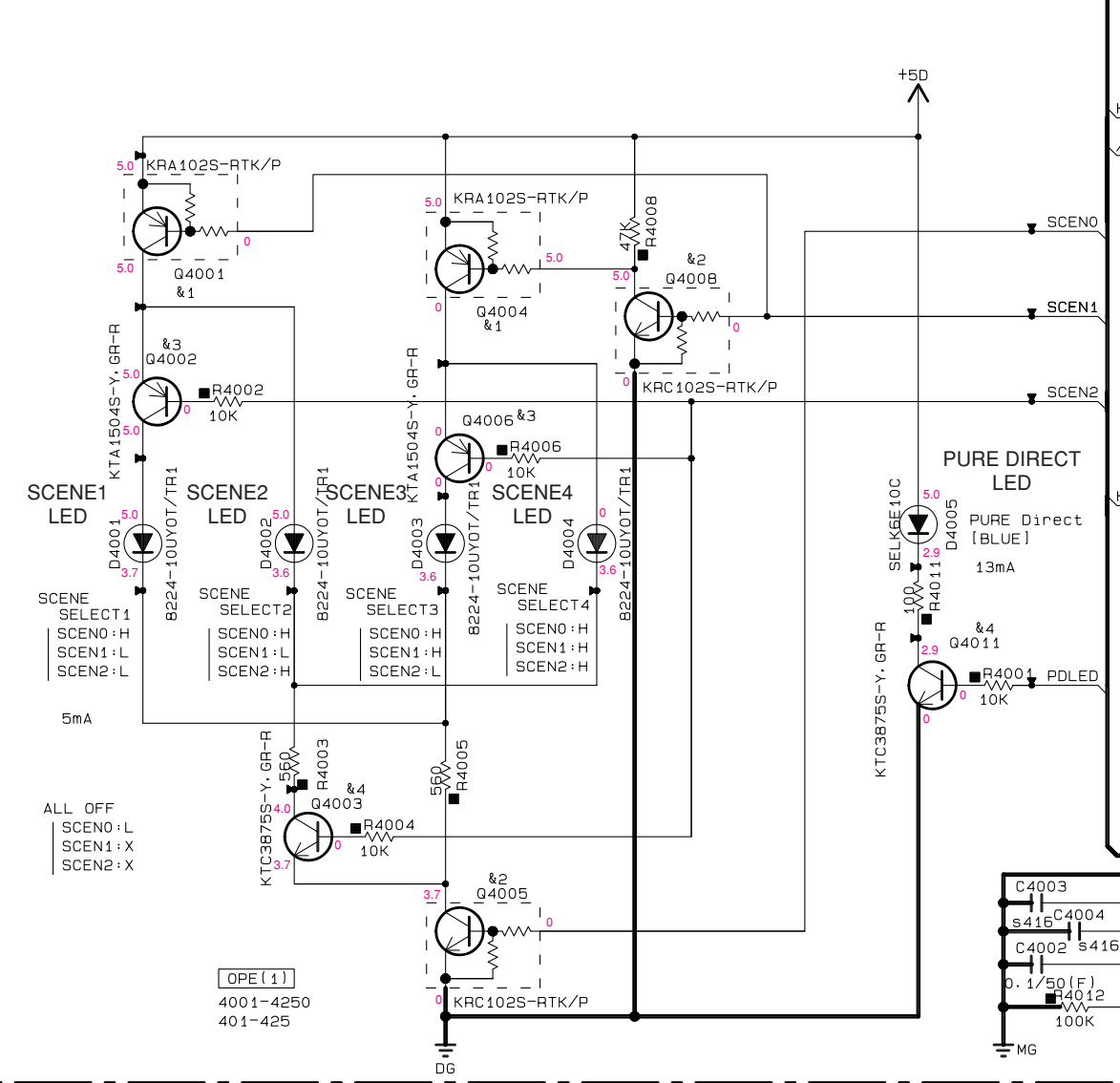
REMARKS	PARTS NAME
NO MARK	ELECTROLYTIC CAPACITOR
⊠	TANTALUM CAPACITOR
NO MARK	CERAMIC CAPACITOR
⊞	CERAMIC TUBULAR CAPACITOR
⊞	POLYESTER FILM CAPACITOR
⊞	POLYSTYRENE FILM CAPACITOR
⊞	MICA CAPACITOR
⊞	POLYPROPYLENE FILM CAPACITOR
⊞	SEMICONDUCTIVE CERAMIC CAPACITOR

NOTICE (model)  
 (J)..... JAPAN  
 (U)..... U.S.A  
 (C)..... CANADA  
 (R)..... GENERAL  
 (T)..... CHINA  
 (K)..... KOREA  
 (A)..... AUSTRALIA  
 (B)..... BRITISH  
 (G)..... EUROPE  
 (L)..... SINGAPORE  
 (E)..... SOUTH EUROPE  
 (V)..... TAIWAN  
 (F)..... RUSSIAN

Destination Part List	DSP-AX763	RX-V663	DSP-AX763	HTR-6160		
sXX	LOC	J	UCRTKAGEFL	B	UF	C
s402	SW415	WD48310	SKRGAAD010	X	MD48310	SKRGAAD010
	SW419	WD48310	SKRGAAD010	X	MD48310	SKRGAAD010
	SW421	WD48310	SKRGAAD010	X	MD48310	SKRGAAD010
	SW418	WD48310	SKRGAAD010	X	MD48310	SKRGAAD010
	SW414	WD48310	SKRGAAD010	X	MD48310	SKRGAAD010
	SW401	WD48310	SKRGAAD010	X	MD48310	SKRGAAD010
	SW413	WD48310	SKRGAAD010	X	MD48310	SKRGAAD010
	SW406	WD48310	SKRGAAD010	X	MD48310	SKRGAAD010
s403	R4039	RD35633	RD35633	X	RD35633	RD35633
		3.3K	3.3K	X		
s404	R4045	RD35647	RD35647	X	RD35647	RD35647
	R4051	4.7K	4.7K	X		
s405	R4056	RD35668	RD35668	X	RD35668	RD35668
		6.8K	6.8K	X		
s406	R4063	RD35710	RD35710	X	RD35710	RD35710
		10K	10K	X		
s407	R4067	RD35722	RD35722	X	RD35722	RD35722
		22K	22K	X		
s408	R4061	X	RD35710	X	RD35710	X
s409	D4015	X	S1R-9055T447	X	S1R-9055T447	X
s410	G4014	WC43500	KRC102S-RTK/P	X	WC43500	KRC102S-RTK/P
		KRC102S-RTK/P	KRC102S-RTK/P	X		
s411	D4008	X	VT33290	X	VT33290	X
		15S355	15S355	X		
s413	SW422	X	X	X	MD48310	SKRGAAD010
s416	C4003	X	US06310	X	US06310	1000P(B)
	C4004	X	US06310	X	US06310	1000P(B)
s421	SW424	X	WD48310	X	WD48310	SKRGAAD010
s441	J4401	X	RD35000	X	RD35000	RD35000
s442	C4409	US13510	0.1/1/16	X	X	X

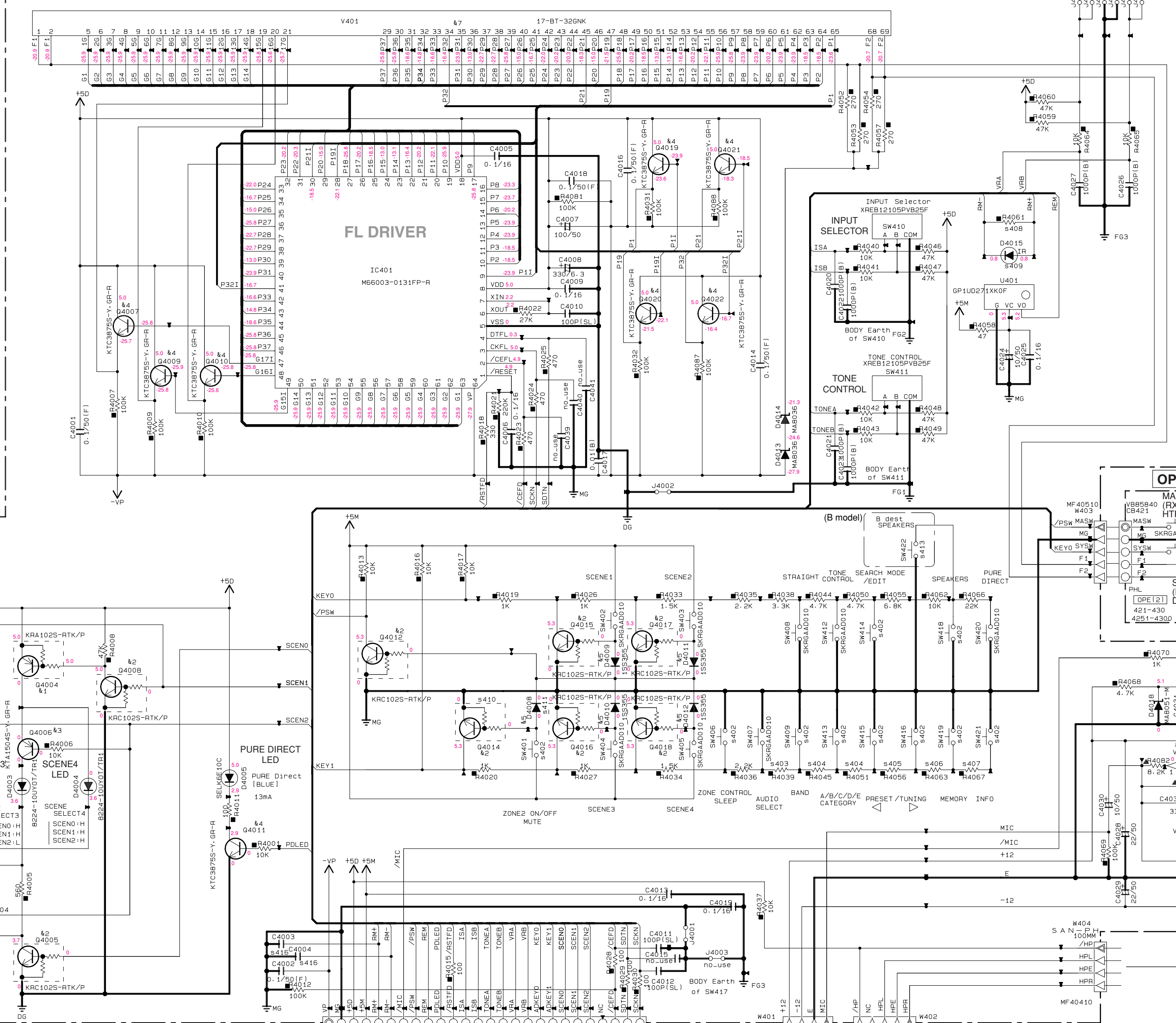
Mark	Reference Parts Number	Parts Name
k1	G4001-4004	KRA102S-RTK/P DTA114EKA
k2	G4005-4008-4012- G4014-4018	KRC102S-RTK/P DTC114EKA
k3	G4002-4006	KT1504S-Y-GR-RTK/P A1037AK(G/R/S)
k4	G4003-4007-4009-4011- 4019-4022	KTC3875S-Y-GR-RTK/P C2412K(G/R/S) S2000R(M/L/W/S)
k5	D4008-4012-4016-4017 4302-4303-4401-4404	15S355 MA2J1106L K05160-RTK/P
k6	IC441	TC7SE13FU SN74AHC1632DCKR
k7	V401	17-BT-356NK HNA-17M06T

OPERATION (1)



★ All voltages are measured with a 10MΩ/V DC electronic voltmeter.  
 ★ Components having special characteristics are marked with a star and must be replaced with parts having specifications equal to those originally installed.  
 ★ Schematic diagram is subject to change without notice.

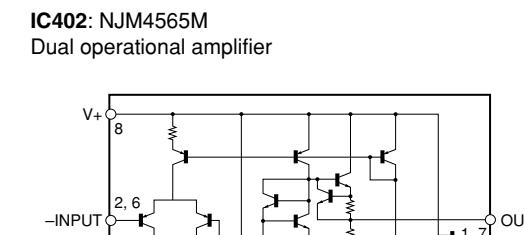
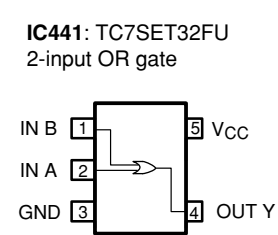
● 電圧は、内部抵抗10MΩの電圧計で測定したものです。  
 ● \*印のある部品は、安全性確保部品を示しています。部品の交換が必要な場合、パーツリストに記載されている部品を使用してください。  
 ● 本回路図は標準回路図です。改良のため予告なく変更することがございます。



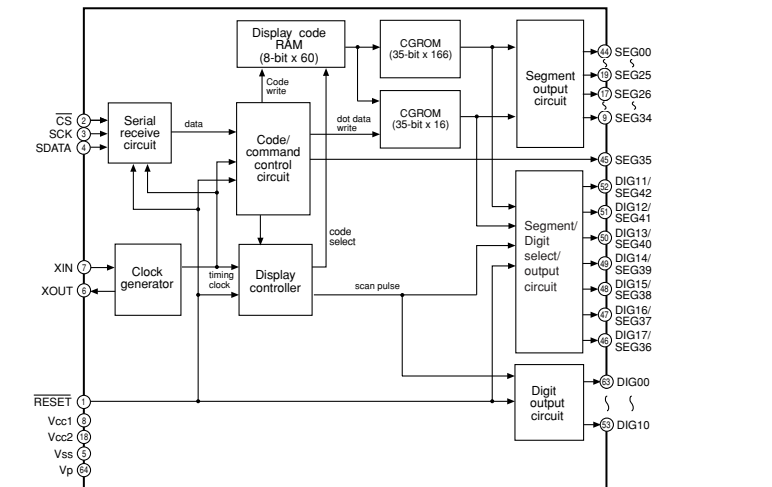
Page 106 [B2] to DIGITAL\_CB30

Page 108 [F2] to DIGITAL\_CB63

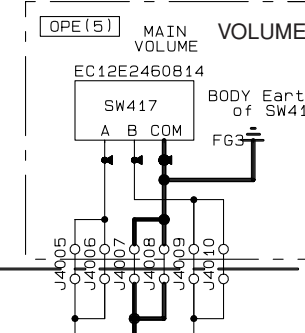
Page 110 [G8] to FUNCTION (1)\_CB221



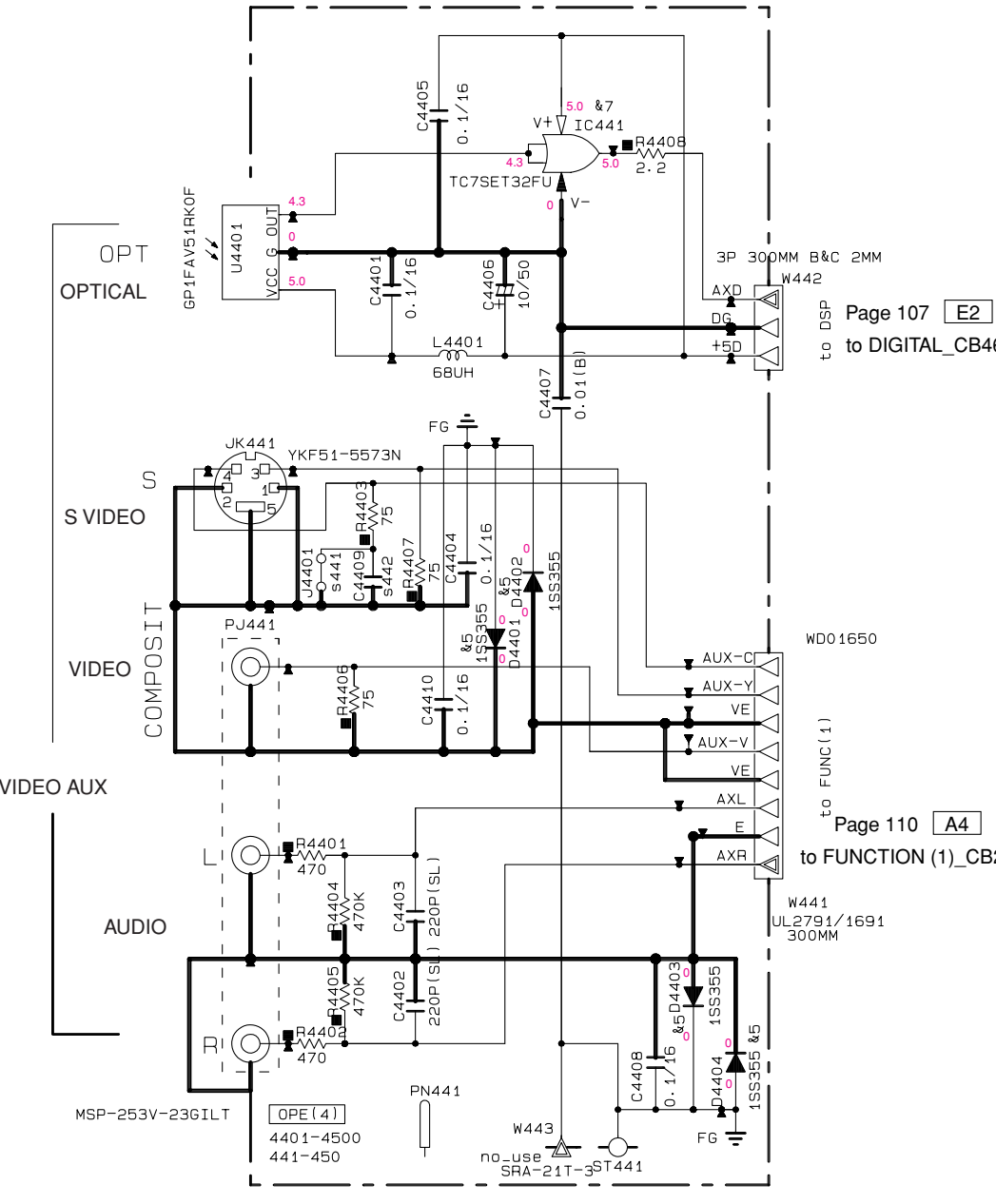
IC401: M66003-0131FP-R 18 digit 5 x 7 segment VFD controller/driver



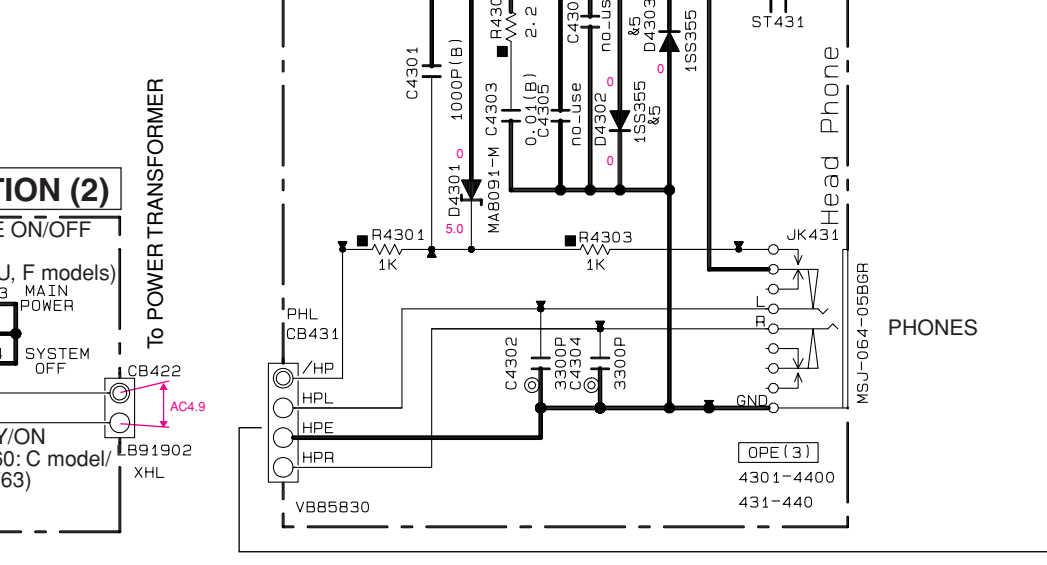
OPERATION (5)



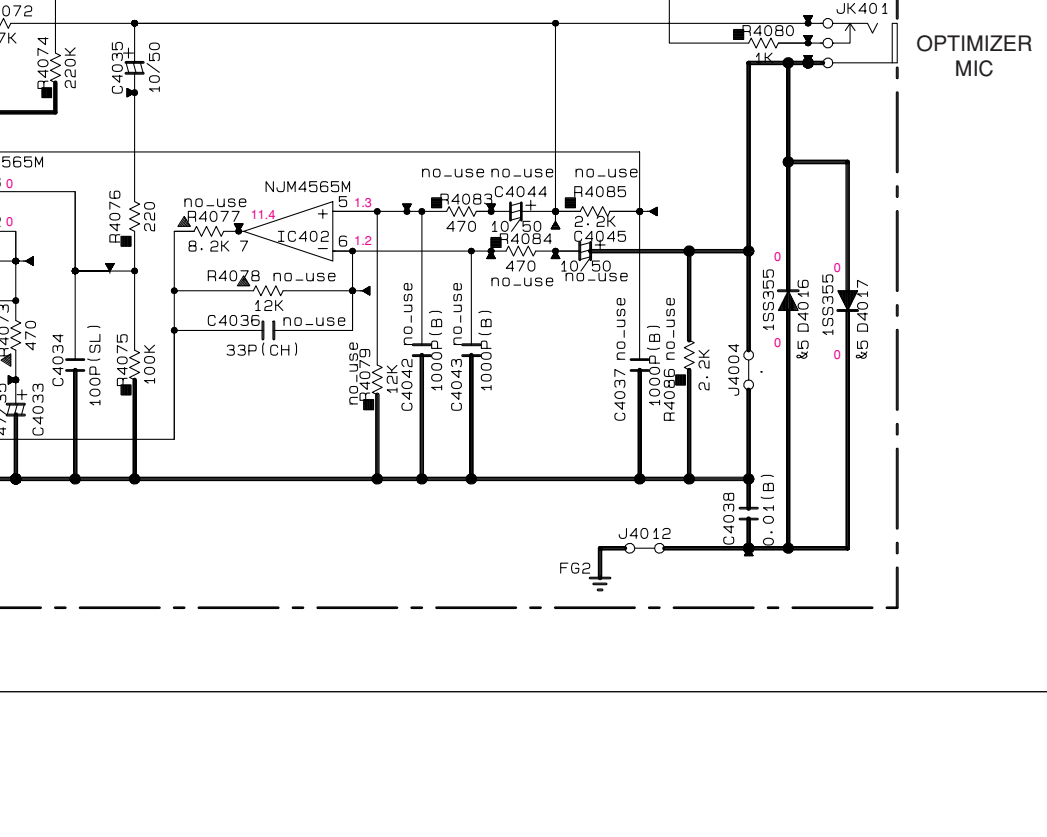
OPERATION (4)



OPERATION (3)



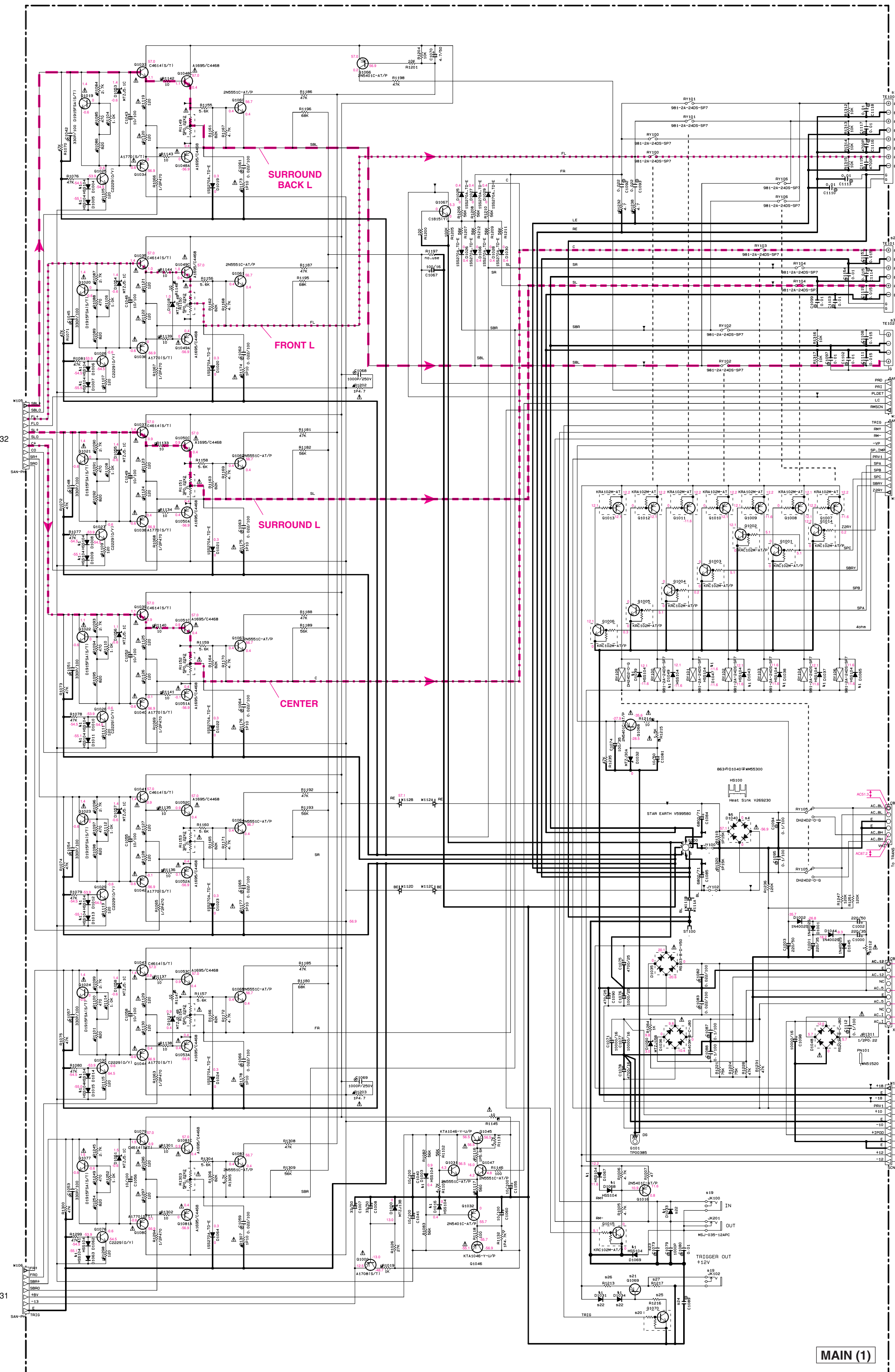
OPERATION (2)



Page 107 [E2] to DIGITAL\_CB46

Page 110 [A4] to FUNCTION (1)\_CB201

MAIN



FRONT B/ZONE B/  
ZONE2/PRESENCE

FRONT A

SPEAKERS

CENTER

SURROUND

SURROUND BACK/  
BI-AMP

DESIGNATION PART LIST

NO	LOC	QTY	DESCRIPTION	UNIT
1	...	...	...	...
2	...	...	...	...
...	...	...	...	...
100	...	...	...	...

RESISTOR

REMARKS	PARTS NAME
NO MARK	CARBON FILM RESISTOR (100)
①	CARBON FILM RESISTOR (100)
②	METAL OXIDE FILM RESISTOR
③	METAL FILM RESISTOR
④	FINE GRID CARBON FILM RESISTOR
⑤	METAL PLATE RESISTOR
⑥	CEMENT MOUNTED RESISTOR
⑦	SEMI VARIABLE RESISTOR
⑧	CHIP RESISTOR

CAPACITOR

REMARKS	PARTS NAME
NO MARK	ELECTROLYTIC CAPACITOR
①	TANTALUM CAPACITOR
②	CERAMIC CAPACITOR
③	CERAMIC TUBULAR CAPACITOR
④	POLYESTER FILM CAPACITOR
⑤	POLYETHYLENE FILM CAPACITOR
⑥	MICA CAPACITOR
⑦	POLYPROPYLENE FILM CAPACITOR
⑧	SEMICONDUCTOR CERAMIC CAPACITOR

NOTICE (model)

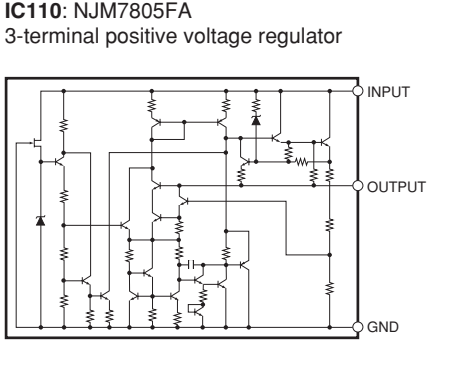
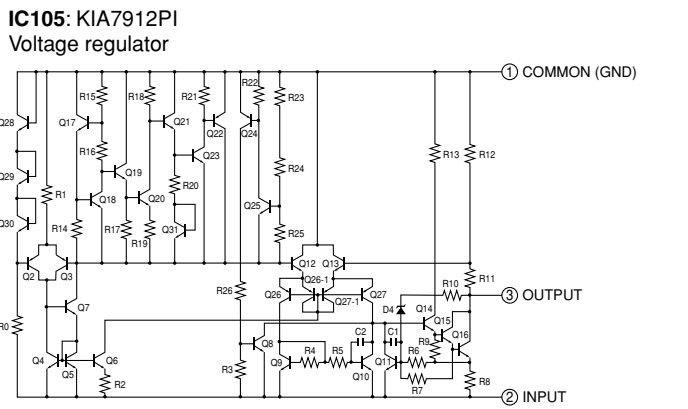
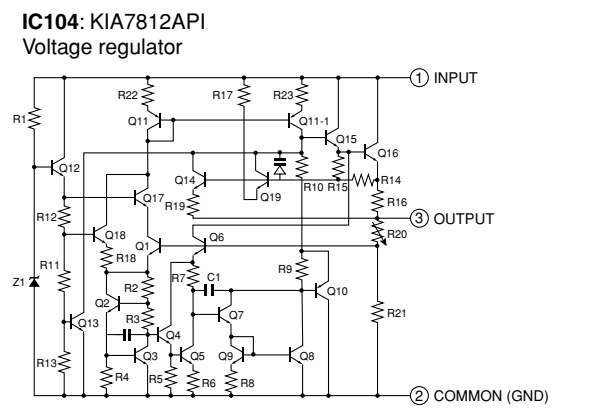
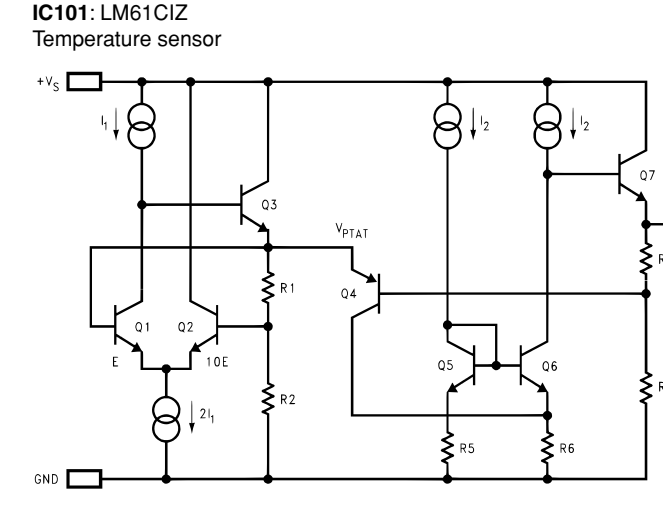
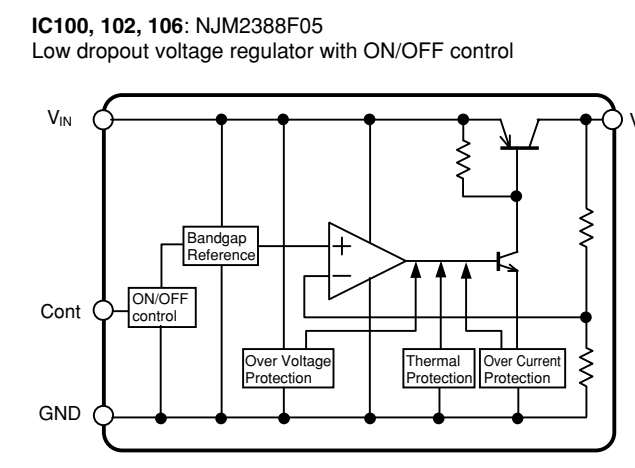
(J) ..... JAPAN  
 (U) ..... U.S.A  
 (C) ..... CANADA  
 (R) ..... GENERAL  
 (T) ..... CHINA  
 (K) ..... KOREA  
 (A) ..... AUSTRALIA  
 (B) ..... BRITAIN  
 (G) ..... EUROPE  
 (L) ..... SINGAPORE  
 (E) ..... SOUTH EUROPE  
 (V) ..... TAIWAN  
 (F) ..... RUSSIAN

Interchangeable Parts at Manufacture-Stage

Mark	Reference Parts Number	Parts Name
①	0304-1037-1036, 1043	105133
	1047-1046-1040, 1043	105176
	1046-1047-1049	105176

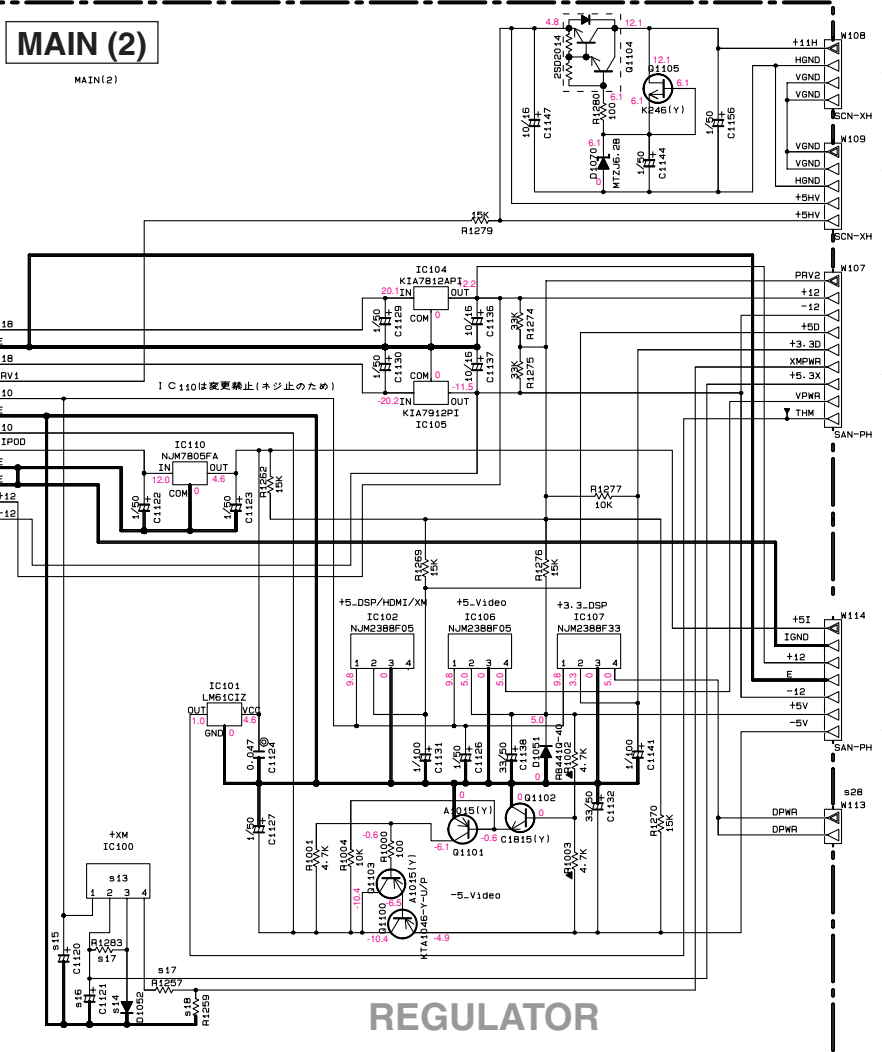
Page 106 [E2]  
to DIGITAL\_CB32

Page 106 [D2]  
to DIGITAL\_CB31



TO POWER TRANSFORMER

TO POWER TRANSFORMER



Page 111 [B9]  
to FUNCTION (3)\_CB251

Page 109 [J2]  
to DIGITAL\_CB82

Page 108 [D2]  
to DIGITAL\_CB62

Page 114 [K3]  
to VIDEO (1)\_CB303

Page 106 [H2]  
to DIGITAL\_CB38  
(J model)

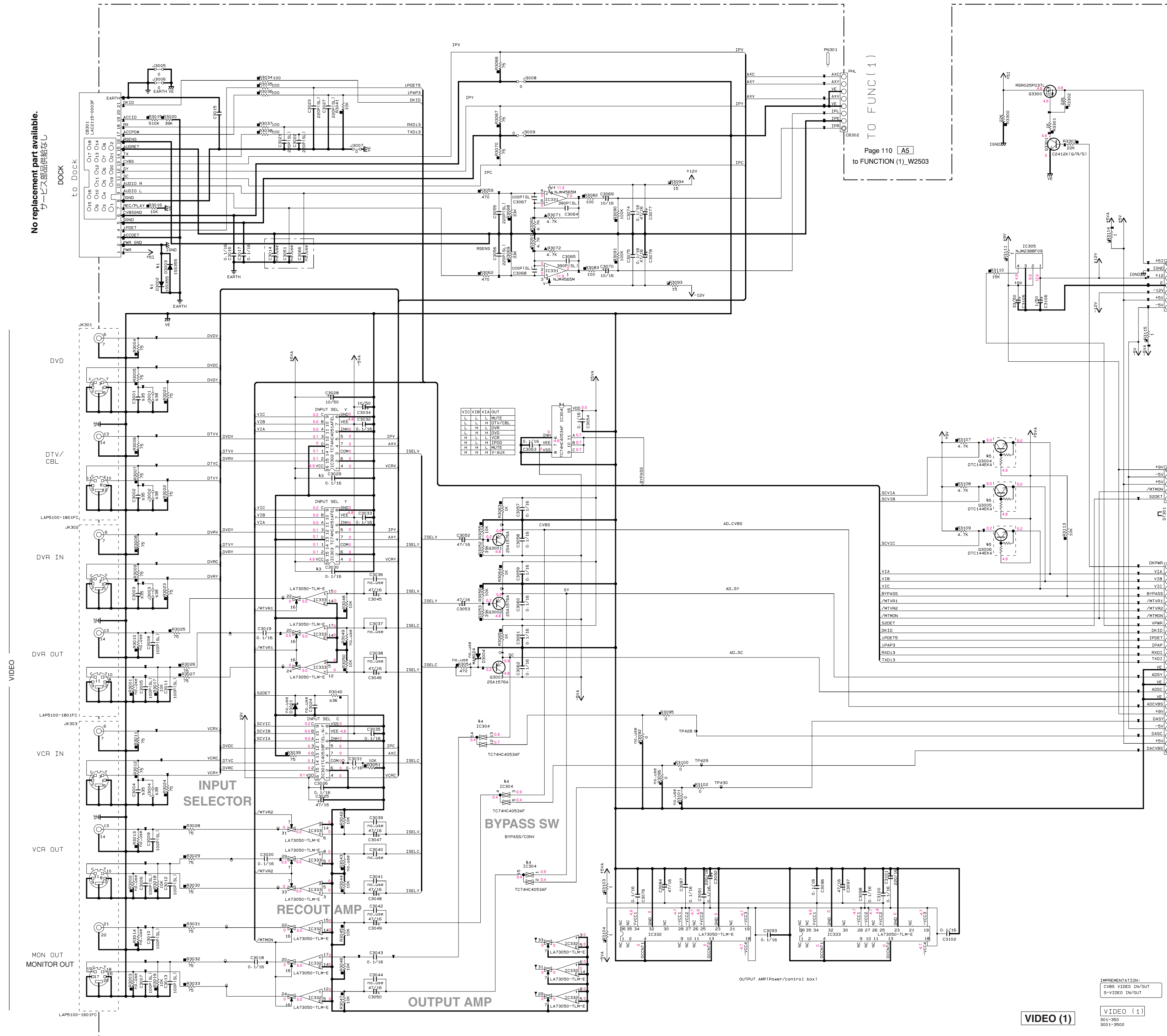
Page 110 [I8]  
to FUNCTION (1)\_CB232

Page 110 [I8]  
to FUNCTION (1)\_CB231

★ All voltages are measured with a 10MΩ/V DC electronic voltmeter.  
 ★ Components having special characteristics are marked with a triangle (▲), and must be replaced with parts having specifications equal to those originally installed.  
 ★ Schematic diagram is subject to change without notice.

● 電圧は、内部抵抗10MΩの電圧計で測定したものです。  
 ● ▲印のある部品は、安全性確保部品を示しています。部品の交換が必要な場合、パーツリストに記載されている部品を使用してください。  
 ● 本回路図は標準回路図です。改良のため予告なく変更することがございます。

No replacement part available.  
 サニズ部品は納品済み



VIDEO (1)  
 301-350  
 3001-3900

VIDEO0663 sht001

Interchangeable Parts at Manufacture Stage

Part No.	Reference	Parts Number	Part Name
41	C3002, 3003-3005, 3004, 3506	ISS305 M3J11100L KRS100-RTK/P	
42	IC363	TC74HC4053AF(EL-F) NM74HC4053JX,NL	
43	IC302, 303	TC74HC4051AFEL NM74HC4051JX,NL	
44	IC304	TC74HC4053AF(EL-F) NM74HC4053JX,NL	
45	Q3004-Q3006	DT144EK KRC1045-RTK/P	
46	Q3501	KRC1025-RTK/P DT144EK	

Destination	Part List
9XX	LOC J UCRTKABEFL
935	C3004 US13510 X
	C3001 G1716
	C3003
936	R3040 RD36510 X
	R3041
938	J3002 K RD36500
	J3004
	J3005

NOTICE (mode1)  
 (J)..... JAPAN  
 (U)..... U.S.A  
 (C)..... CANADA  
 (R)..... GENERAL  
 (T)..... CHINA  
 (K)..... KOREA  
 (A)..... AUSTRALIA  
 (B)..... BRITISH  
 (G)..... EUROPE  
 (L)..... SINGAPORE  
 (E)..... SOUTH EUROPE  
 (V)..... TAIWAN  
 (F)..... RUSSIAN

REMARKS	PARTS NAME
NO MARK	CARBON FILM RESISTOR (P=5)
NO MARK	CARBON FILM RESISTOR (P=10)
△	METAL OXIDE FILM RESISTOR
△	METAL FILM RESISTOR
△	METAL PLATE RESISTOR
□	FIRE PROOF CARBON FILM RESISTOR
□	CEMENT MOLDED RESISTOR
□	SEMI VARIABLE RESISTOR
■	CHIP RESISTOR

REMARKS	PARTS NAME
NO MARK	ELECTROLYTIC CAPACITOR
⊗	TANTALUM CAPACITOR
NO MARK	CERAMIC CAPACITOR
●	CERAMIC TUBULAR CAPACITOR
○	POLYESTER FILM CAPACITOR
○	POLYPROPYLENE FILM CAPACITOR
○	MICA CAPACITOR
○	POLYPROPYLENE FILM CAPACITOR
○	SEMICONDUCTIVE CERAMIC CAPACITOR

Page 110 [A5]  
 to FUNCTION (1)\_W2503

Page 113 [K9]  
 to MAIN (2)\_W114

Page 111 [B5]  
 to FUNCTION (6)\_CB296

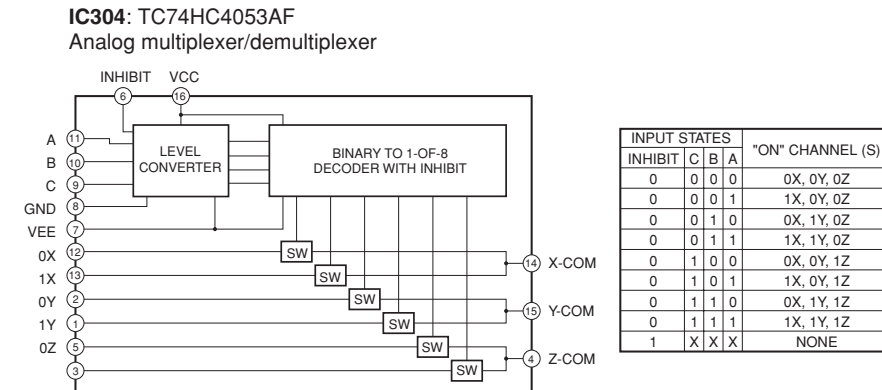
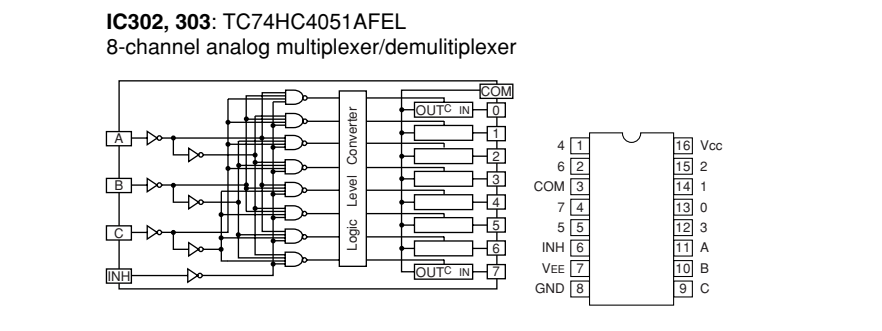
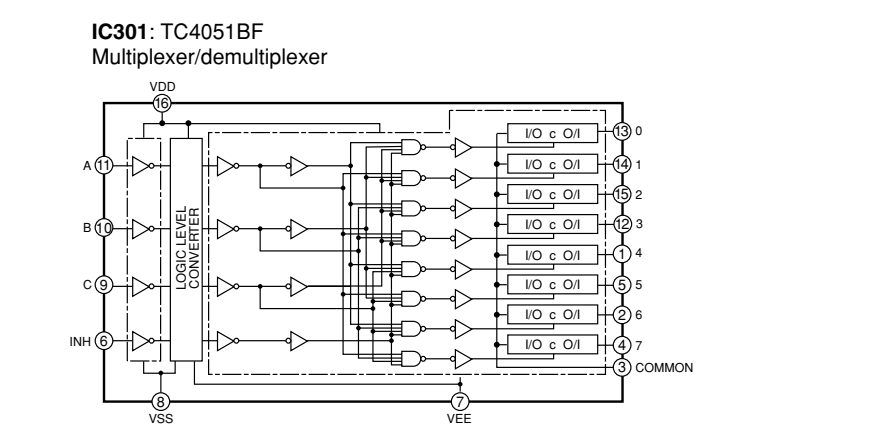
Page 109 [E2]  
 to DIGITAL\_CB80

TO DIGITAL

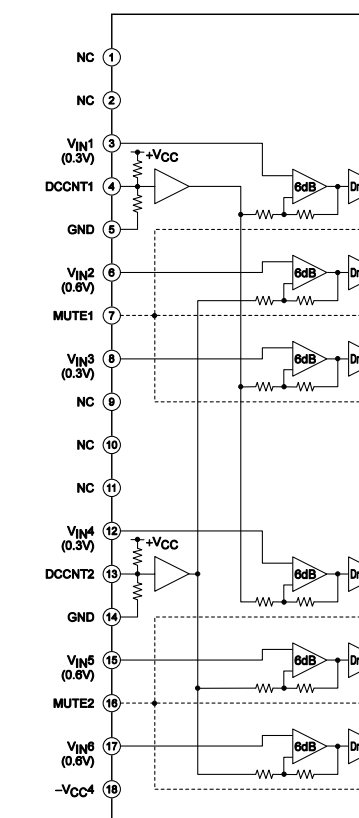
TO FUNC (6)

TO MAIN (2)

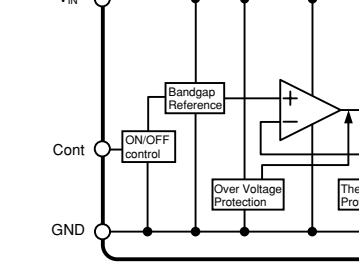
TO FUNC (1)



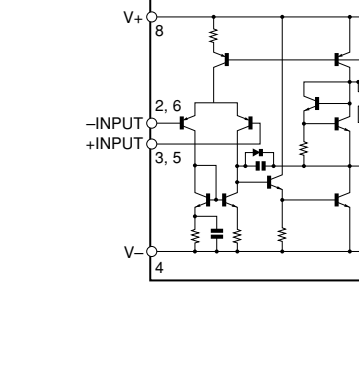
IC332, 333: LA73050-TLM-E  
 6-channel 75-ohm video driver



IC305: NJM2388F09  
 Low dropout voltage regulator with ON/OFF control



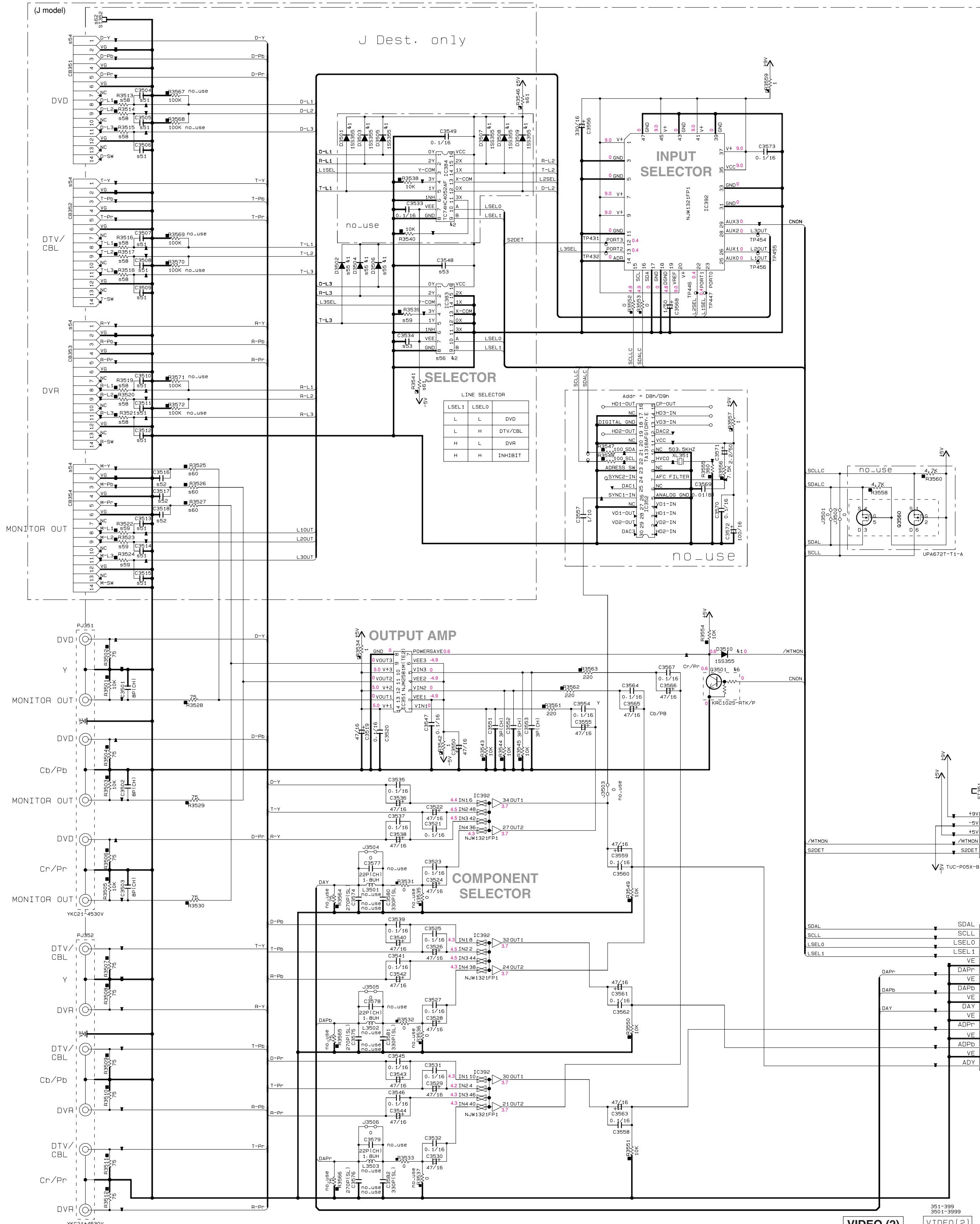
IC331: NJM4565M  
 Dual operational amplifier



★ All voltages are measured with a 10MΩ/V DC electronic voltmeter.  
 ★ Components having special characteristics are marked with a triangle and must be replaced with parts having specifications equal to those originally installed.  
 ★ Schematic diagram is subject to change without notice.

● 電圧は、内部抵抗10MΩの電圧計で測定したものです。  
 ● 三角形印のある部品は、安全性確保部品を示しています。部品の交換が必要な場合、パーツリストに記載されている部品を使用してください。  
 ● 本回路図は標準回路図です。改良のため予告なく変更することがございます。

VIDEO 2/2



Destination Part List

EXX	LOC	J	UCRTKARBEFL
#51	C3513	US06410	X
	C3514	0.0118	
	C3515		
	C3516		
	C3517		
	C3518		
#52	C3518	US06080	X
	C3516	8P1CH	
	C3517		
#53	C3548	US13510	X
	C3534	0.1716	
#54	C8354	WD39840	X
	C8353	WVF45-3011	
	C8352		
	C8351		
#55	C9566	VT33290	X
	C9564		
#56	IC383	X5790A0	X
	R3513	R035510	X
	R3514	100	
	R3521		
	R3515		
	R3516		
#59	R3524	R035710	X
	R3523	10K	
	R3522		
	R3529		
#60	R3528	R035475	X
	R3525	75	
	R3527		
#61	R3541	HV75310	X
	R3546		
#62	S1352	X	V404050

NOTICE (model)

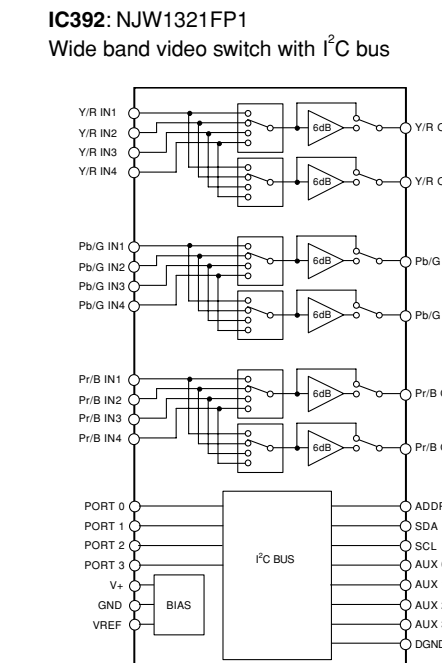
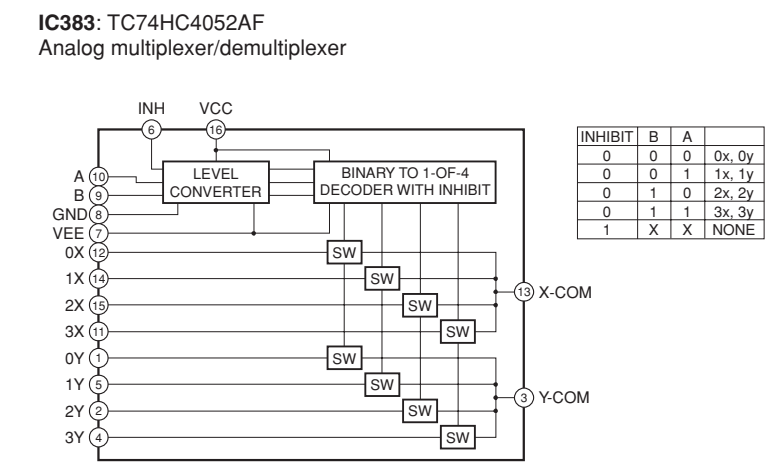
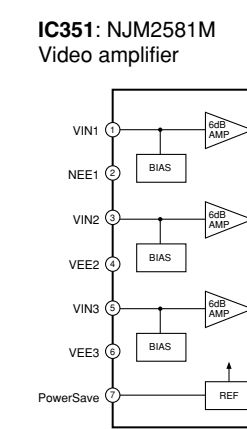
(J)..... JAPAN  
 (U)..... U.S.A  
 (C)..... CANADA  
 (R)..... GENERAL  
 (T)..... CHINA  
 (K)..... KOREA  
 (A)..... AUSTRALIA  
 (B)..... BRITISH  
 (G)..... EUROPE  
 (L)..... SINGAPORE  
 (E)..... SOUTH EUROPE  
 (V)..... TAIWAN  
 (F)..... RUSSIAN

CAPACITOR

REMARKS	PARTS NAME
NO MARK	ELECTROLYTIC CAPACITOR
⊗	TANTALUM CAPACITOR
NO MARK	CERAMIC CAPACITOR
●	CERAMIC TUBULAR CAPACITOR
○	POLYESTER FILM CAPACITOR
○	POLYSTYRENE FILM CAPACITOR
○	MICA CAPACITOR
○	POLYPROPYLENE FILM CAPACITOR
⊙	SEMICONDUCTIVE CERAMIC CAPACITOR

RESISTOR

REMARKS	PARTS NAME
NO MARK	CARBON FILM RESISTOR (P=5)
□	CARBON FILM RESISTOR (P=10)
△	METAL OXIDE FILM RESISTOR
△	METAL FILM RESISTOR
△	METAL PLATE RESISTOR
△	FIRE PROOF CARBON FILM RESISTOR
□	CEMENT MOLDED RESISTOR
⊗	SEMI VARIABLE RESISTOR
■	CHIP RESISTOR



TO FUNC(6)  
Page 111 [C5]  
to FUNCTION (6)\_CB297

TO DIGITAL  
Page 109 [G2]  
to DIGITAL\_CB81

\* All voltages are measured with a 10MΩ/V DC electronic voltmeter.  
 \* Components having special characteristics are marked with a triangle (△) and must be replaced with parts having specifications equal to those originally installed.  
 \* Schematic diagram is subject to change without notice.

● 電圧は、内部抵抗10MΩの電圧計で測定したものです。  
 ● 上印のある部品は、安全性確保部品を示しています。部品の交換が必要な場合、パーツリストに記載されている部品を使用してください。  
 ● 本回路図は標準回路図です。改良のため予告なく変更することがございます。